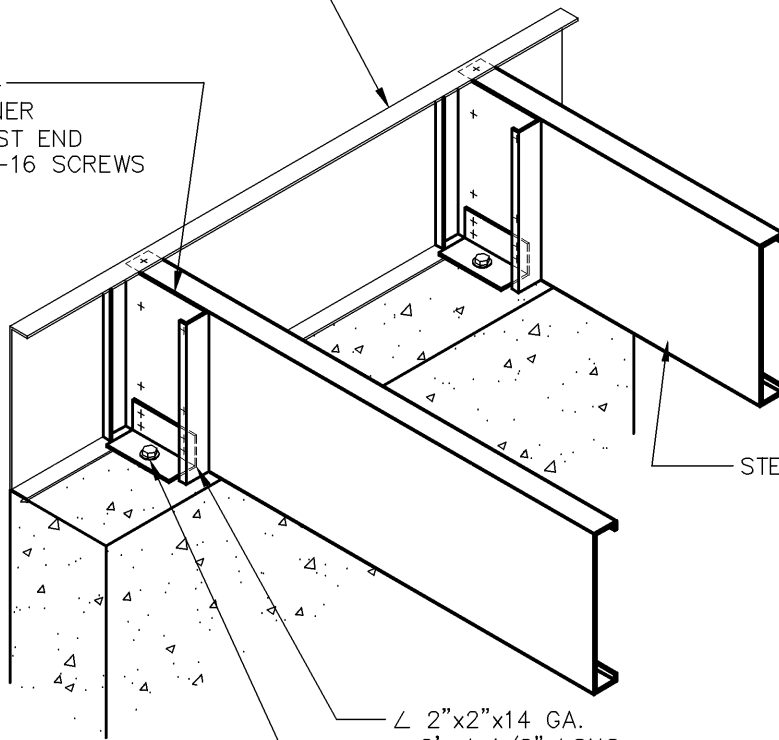


CONTINUOUS TRACK

600S162-54
WEB STIFFENER
@ EACH JOIST END
W/ (4) #10-16 SCREWS

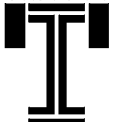


STEEL STUD JOIST

∟ 2"x2"x14 GA.
x 0'-4 1/2" LONG
W/ (4) #10-16 SCREWS
@ EACH CLIP ∟

(1) X"∅ x X" EMBED.
SCREW ANCHOR
@ EACH SLIDE CLIP
3" MIN. EDGE DISTANCE

TELLING™



BUILDSTRONG

6272 CENTER STREET
MENTOR, OHIO 44060
PHONE: 440-974-3370

DETAIL IS FOR
REFERENCE ONLY.
NOT FOR CONSTRUCTION.

DETAIL PROVIDED BY:



100 CAMELOT DRIVE
FOND DU LAC, WI 54935
PHONE: (920) 926-9800

@ CONCRETE
JOIST BEARING DETAIL