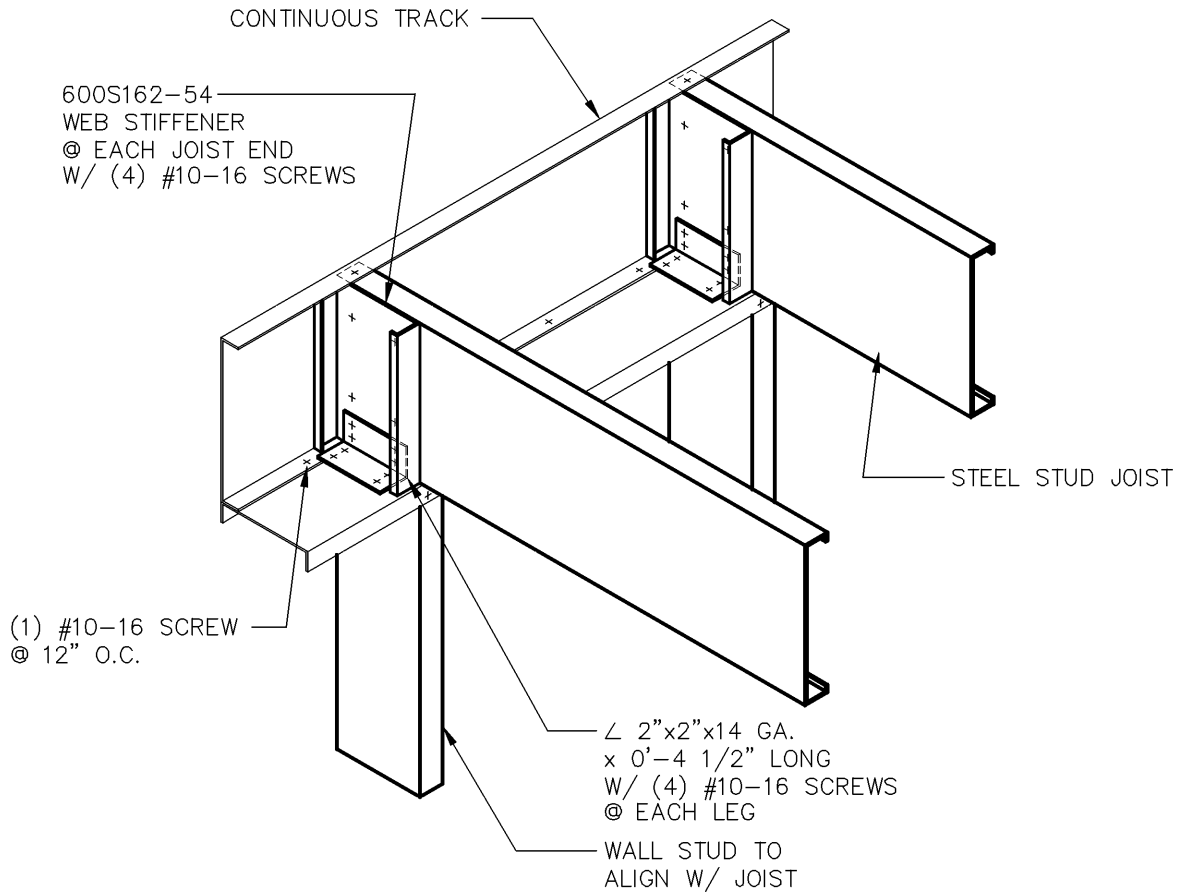
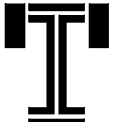


BEARING TOLERANCE



TELLING™



BUILDSTRONG

6272 CENTER STREET
MENTOR, OHIO 44060
PHONE: 440-974-3370

DETAIL IS FOR
REFERENCE ONLY.
NOT FOR CONSTRUCTION.

DETAIL PROVIDED BY:



100 CAMELOT DRIVE
FOND DU LAC, WI 54935
PHONE: (920) 926-9800

@ STUD WALL JOIST BEARING DETAIL