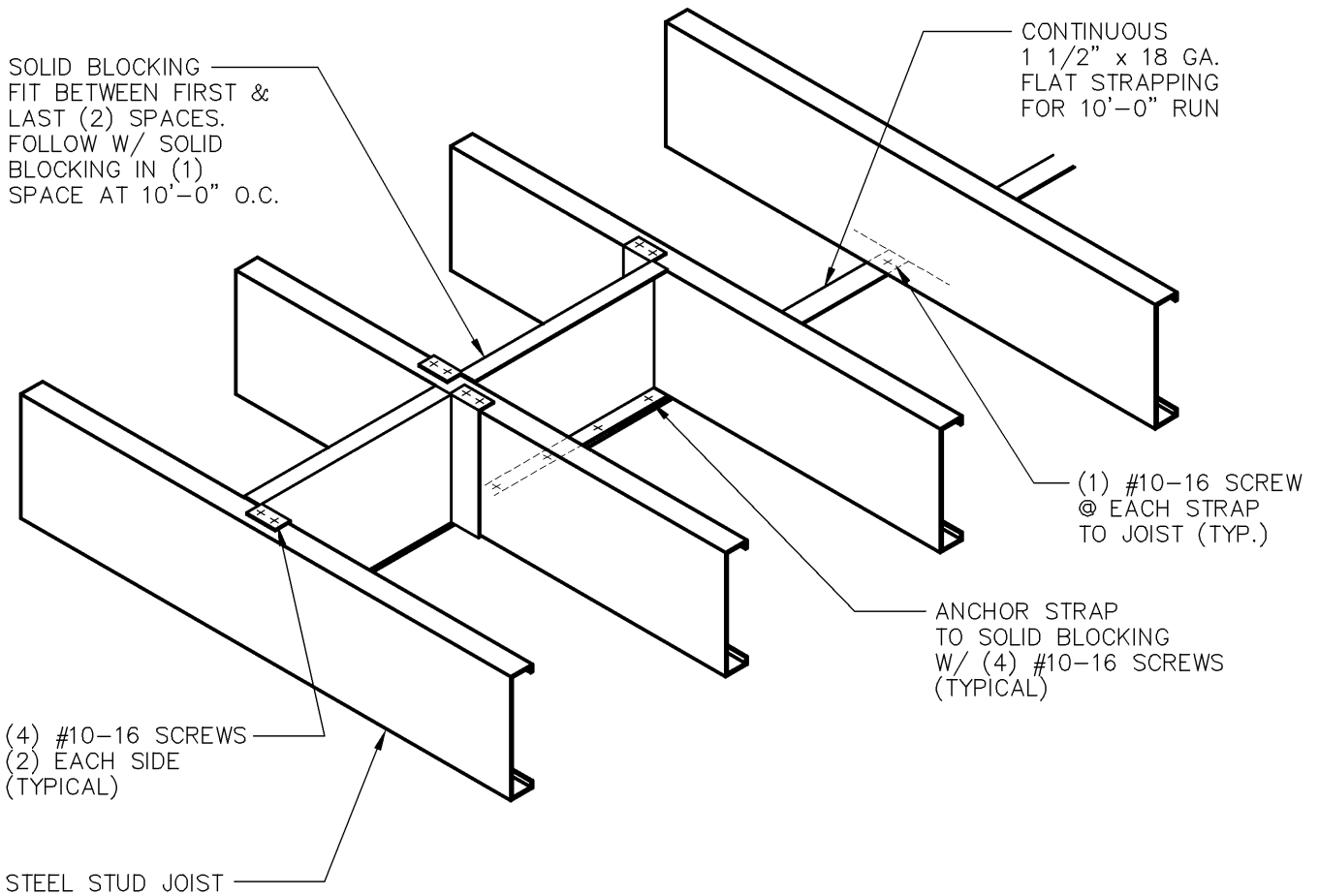
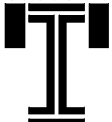


NOTE:
 FOR SOLID BLOCKING
 USE 16 GA. TRACK MIN.
 NOTCH & BEND FLANGES
 90° FOR ATTACHMENT
 TO JOIST

NOTE:
 IF SHEATHING IS NOT INSTALLED
 ON MEMBERS, STRAPPING IS
 REQ'D. ON BOTH FLANGES



TELLING™



BUILDSTRONG

6272 CENTER STREET
 MENTOR, OHIO 44060
 PHONE: 440-974-3370

DETAIL IS FOR
 REFERENCE ONLY.
 NOT FOR CONSTRUCTION.

DETAIL PROVIDED BY:



100 CAMELOT DRIVE
 FOND DU LAC, WI 54935
 PHONE: (920) 926-9800

JOIST BRIDGING DETAIL