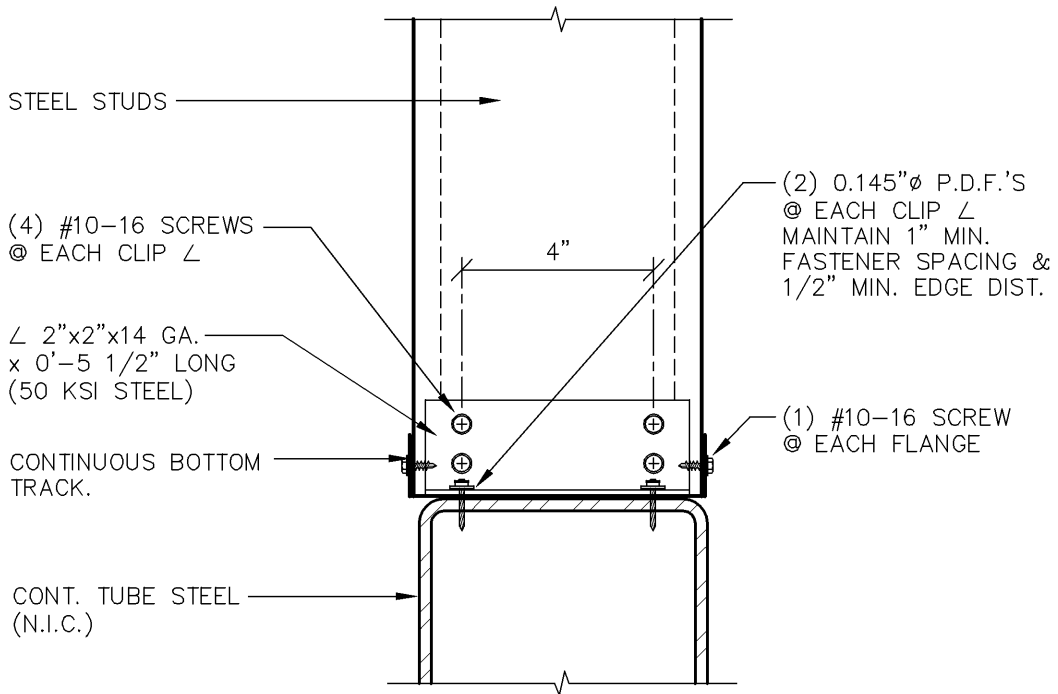


PLAN VIEW

3/4"
MAX.



STEEL STUDS

(4) #10-16 SCREWS
@ EACH CLIP

L 2"x2"x14 GA.
x 0'-5 1/2" LONG
(50 KSI STEEL)

CONTINUOUS BOTTOM
TRACK.

CONT. TUBE STEEL
(N.I.C.)

(2) 0.145" P.D.F.'S
@ EACH CLIP
MAINTAIN 1" MIN.
FASTENER SPACING &
1/2" MIN. EDGE DIST.

(1) #10-16 SCREW
@ EACH FLANGE

4"

TELLING™

BUILDSTRONG
 6272 CENTER STREET
 MENTOR, OHIO 44060
 PHONE: 440-974-3370

DETAIL IS FOR
 REFERENCE ONLY.
 NOT FOR CONSTRUCTION.

DETAIL PROVIDED BY:

EXCEL
 ENGINEERING, LLC


100 CAMELOT DRIVE
 FOND DU LAC, WI 54935
 PHONE: (920) 926-9800

© STRUCTURAL STEEL
 BASE CLIP DETAIL ATTACHMENT