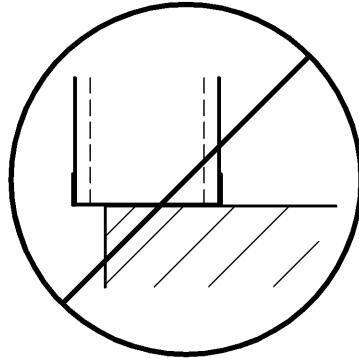
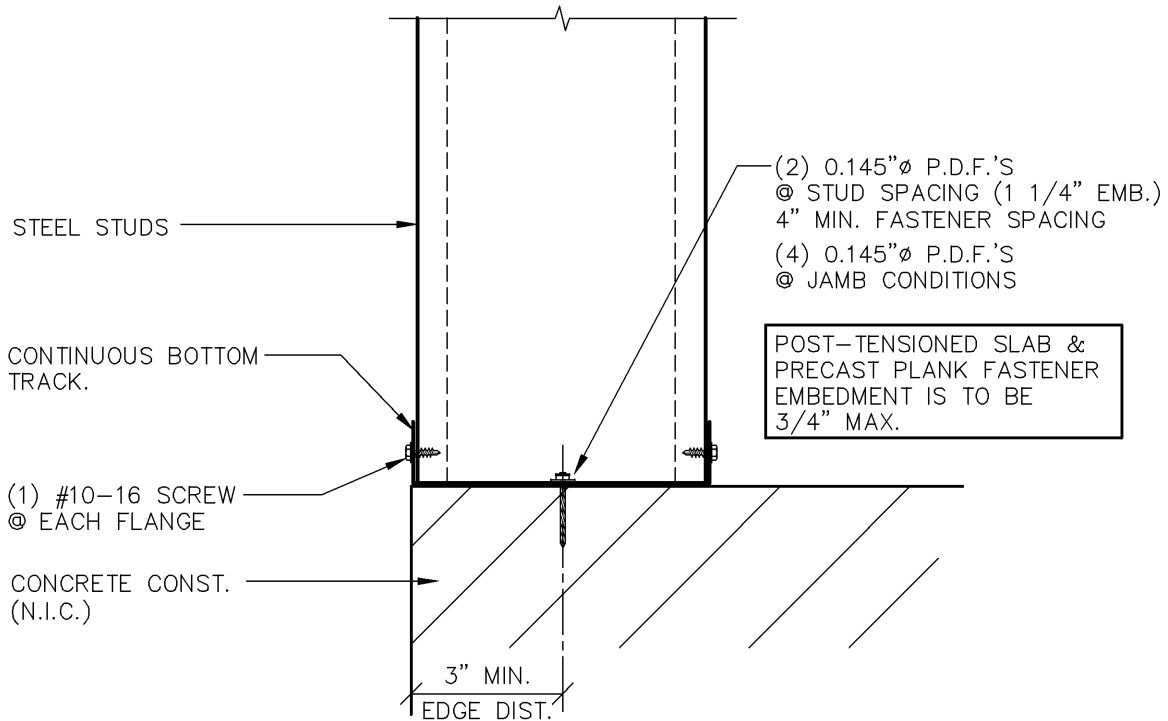


NOT ALLOWED



STEEL STUDS REQUIRE FULL BEARING AT FOUNDATION. CONTACT EXCEL ENGINEERING, INC. WITH ANY OVERHANG STUDS AT FOUNDATION.



TELLING™



BUILDSTRONG

6272 CENTER STREET
MENTOR, OHIO 44060
PHONE: 440-974-3370

DETAIL IS FOR
REFERENCE ONLY.
NOT FOR CONSTRUCTION.

DETAIL PROVIDED BY:



100 CAMELOT DRIVE
FOND DU LAC, WI 54935
PHONE: (920) 926-9800

@ CONCRETE
BASE DETAIL ATTACHMENT