

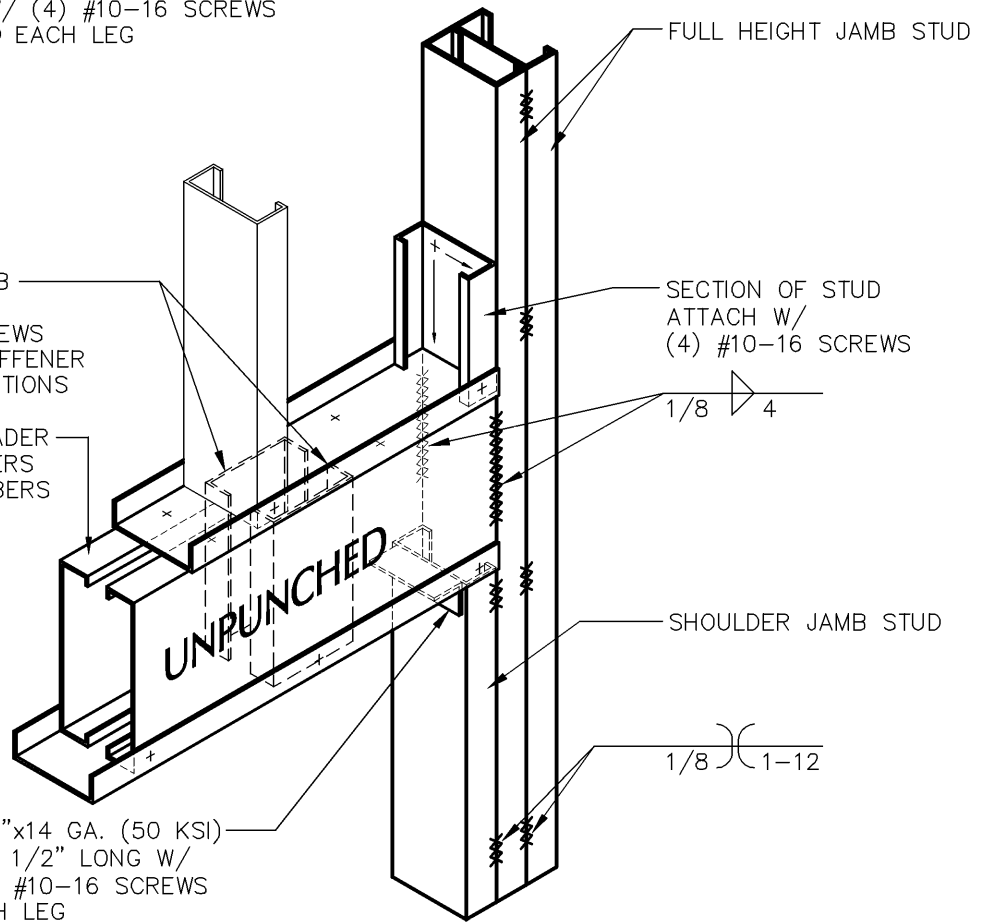
ALTERNATE

600T125-54 WEB
STIFFENER W/
(4) #10-16 SCREWS
LOCATE WEB STIFFENER
AT GIRDER LOCATIONS

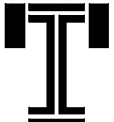
STEEL STUD HEADER
(2) STUD MEMBERS
(2) TRACK MEMBERS

ATTACH HEADER MEMBERS
TOGETHER W/ (2) #10-16
SCREWS @ 12" O.C.

∠ 2"x2"x14 GA. (50 KSI)
x 0'-5 1/2" LONG W/
W/ (4) #10-16 SCREWS
@ EACH LEG



TELLING™



BUILDSTRONG

6272 CENTER STREET
MENTOR, OHIO 44060
PHONE: 440-974-3370

DETAIL IS FOR
REFERENCE ONLY.
NOT FOR CONSTRUCTION.

DETAIL PROVIDED BY:



100 CAMELOT DRIVE
FOND DU LAC, WI 54935
PHONE: (920) 926-9800

LOAD BEARING HEADER – JAMB ATTACHMENT