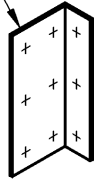


(1) \angle 4"x2"x14 GA.
 x 0'-5" LONG (50 KSI)
 W/ (6) #10-16 SCREWS
 @ EACH LEG



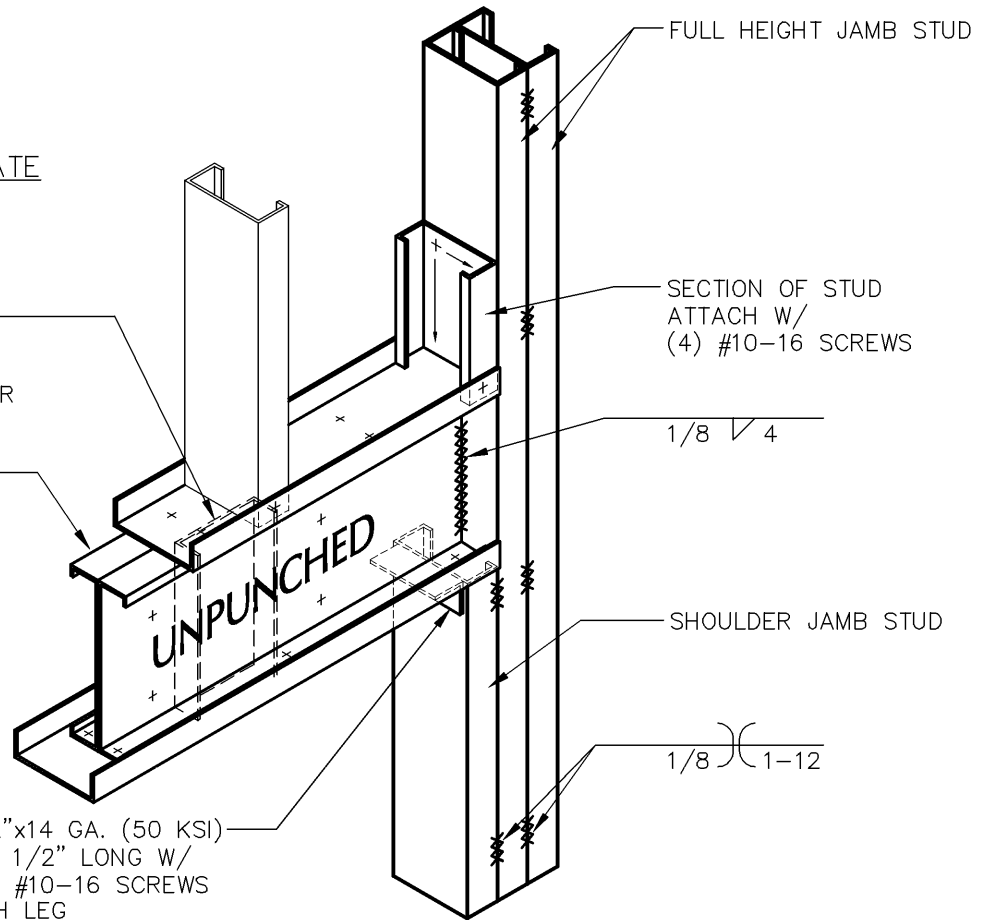
ALTERNATE

600T125-54 WEB
 STIFFENER W/
 (4) #10-16 SCREWS
 LOCATE WEB STIFFENER
 AT GIRDER LOCATIONS

STEEL STUD HEADER
 (2) STUD MEMBERS
 (2) TRACK MEMBERS

ATTACH HEADER MEMBERS
 TOGETHER W/ (2) #10-16
 SCREWS @ 12" O.C.

\angle 2"x2"x14 GA. (50 KSI)
 x 0'-5 1/2" LONG W/
 W/ (4) #10-16 SCREWS
 @ EACH LEG



TELLING™



BUILDSTRONG

6272 CENTER STREET
 MENTOR, OHIO 44060
 PHONE: 440-974-3370

DETAIL IS FOR
 REFERENCE ONLY.
 NOT FOR CONSTRUCTION.

DETAIL PROVIDED BY:



100 CAMELOT DRIVE
 FOND DU LAC, WI 54935
 PHONE: (920) 926-9800

LOAD BEARING HEADER – JAMB ATTACHMENT