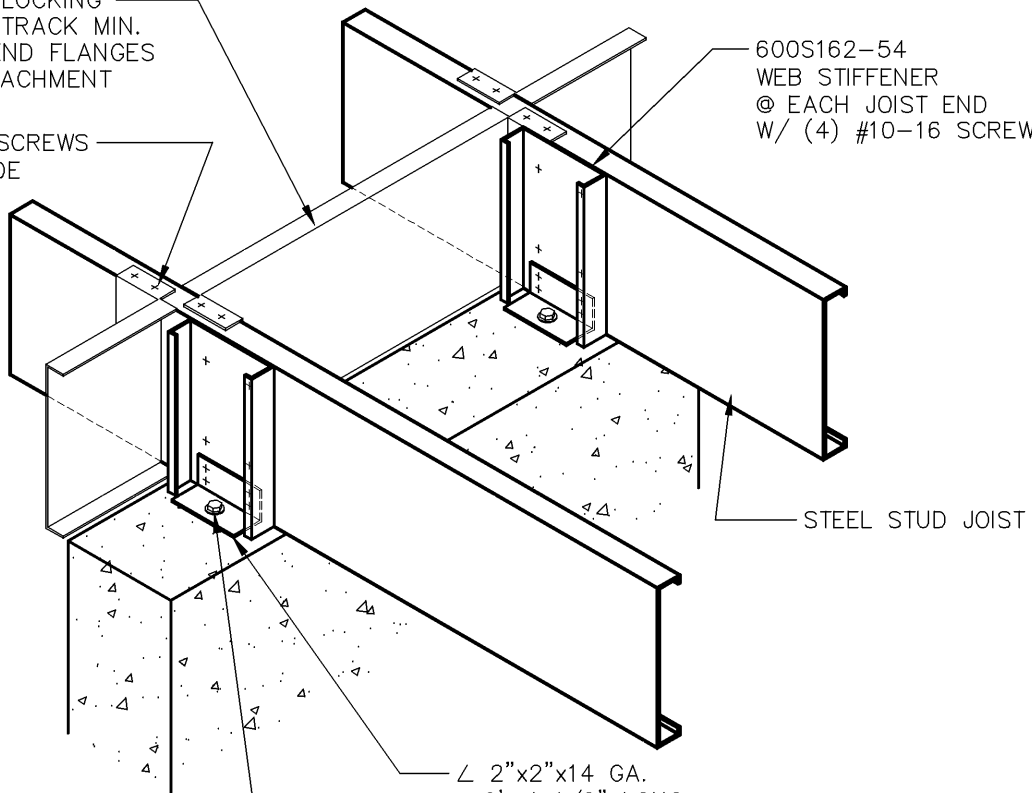


FOR SOLID BLOCKING
 USE 16 GA. TRACK MIN.
 NOTCH & BEND FLANGES
 90° FOR ATTACHMENT
 TO JOIST

(4) #10-16 SCREWS
 (2) EACH SIDE
 (TYPICAL)

600S162-54
 WEB STIFFENER
 @ EACH JOIST END
 W/ (4) #10-16 SCREWS

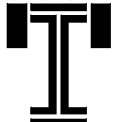


∠ 2"x2"x14 GA.
 x 0'-4 1/2" LONG
 W/ (4) #10-16 SCREWS
 @ CLIP ∠ TO JOIST

(1) X"∅ x X" EMBED.
 SCREW ANCHOR
 @ EACH SLIDE CLIP
 3" MIN. EDGE DISTANCE

STEEL STUD JOIST

TELLING™



BUILDSTRONG

6272 CENTER STREET
 MENTOR, OHIO 44060
 PHONE: 440-974-3370

DETAIL IS FOR
 REFERENCE ONLY.
 NOT FOR CONSTRUCTION.

DETAIL PROVIDED BY:



100 CAMELOT DRIVE
 FOND DU LAC, WI 54935
 PHONE: (920) 926-9800

@ CONCRETE
 JOIST BEARING DETAIL