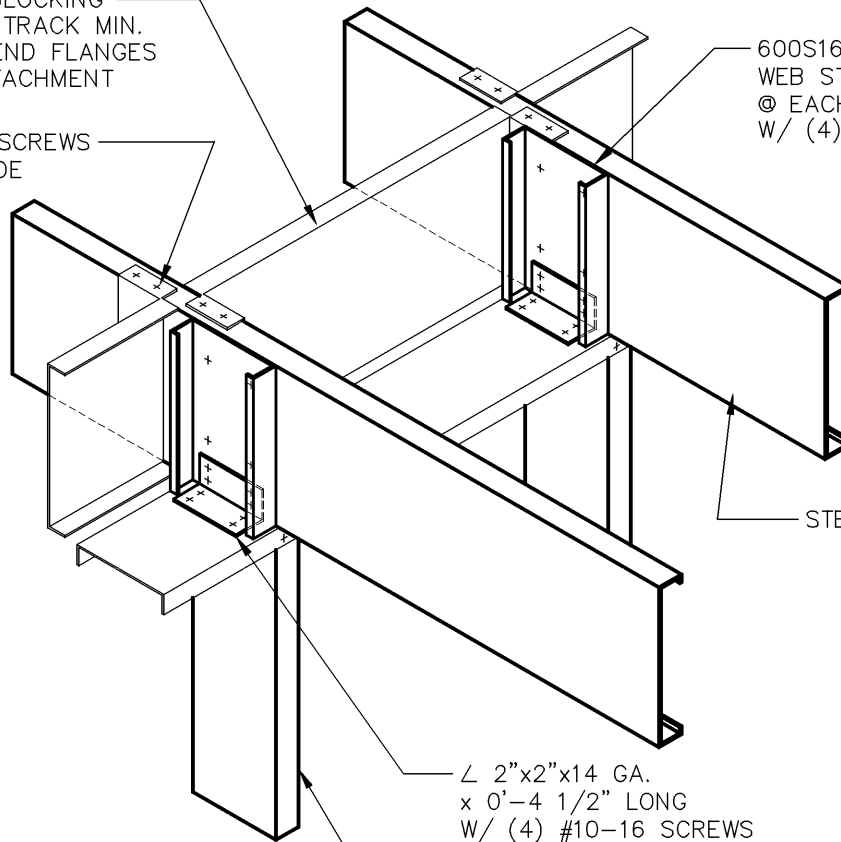


BEARING TOLERANCE

FOR SOLID BLOCKING
USE 16 GA. TRACK MIN.
NOTCH & BEND FLANGES
90° FOR ATTACHMENT
TO JOIST

(4) #10-16 SCREWS
(2) EACH SIDE
(TYPICAL)



600S162-54
WEB STIFFENER
@ EACH JOIST END
W/ (4) #10-16 SCREWS

STEEL STUD JOIST

∠ 2"x2"x14 GA.
x 0'-4 1/2" LONG
W/ (4) #10-16 SCREWS
@ EACH LEG

WALL STUD TO
ALIGN W/ JOIST

TELLING™



BUILDSTRONG

6272 CENTER STREET
MENTOR, OHIO 44060
PHONE: 440-974-3370

DETAIL IS FOR
REFERENCE ONLY.
NOT FOR CONSTRUCTION.

DETAIL PROVIDED BY:



100 CAMELOT DRIVE
FOND DU LAC, WI 54935
PHONE: (920) 926-9800

@ STUD WALL
JOIST BEARING DETAIL