

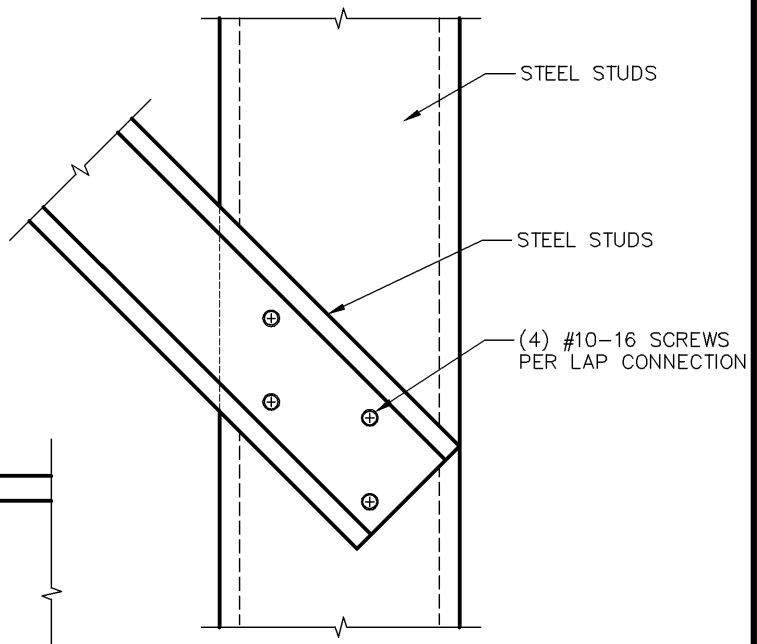
STEEL STUDS

STEEL STUD CROSS-TIE

(4) #10-16 SCREWS PER LAP CONN.

CROSS-TIE LAP

STUD DEPTH	'A'
3 5/8"	2 1/2"
6"	4"
8"	6"
10"	8"
12"	10"

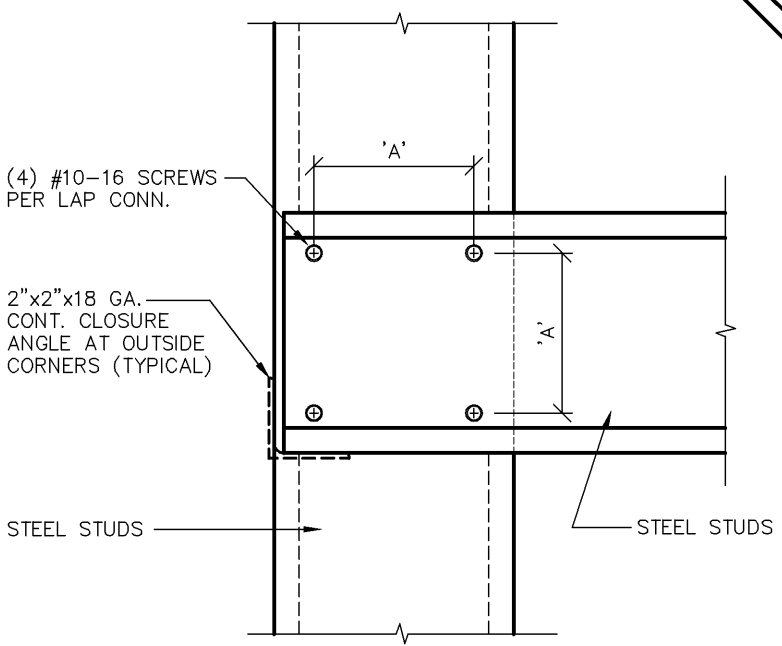


STEEL STUDS

STEEL STUDS

(4) #10-16 SCREWS PER LAP CONNECTION

DIAGONAL LAP



(4) #10-16 SCREWS PER LAP CONN.

2"x2"x18 GA. CONT. CLOSURE ANGLE AT OUTSIDE CORNERS (TYPICAL)

STEEL STUDS

STEEL STUDS

TYPICAL LAP



BUILDSTRONG
6272 CENTER STREET
MENTOR, OHIO 44060
PHONE: 440-974-3370

DETAIL IS FOR REFERENCE ONLY. NOT FOR CONSTRUCTION.

DETAIL PROVIDED BY:



100 CAMELOT DRIVE
FOND DU LAC, WI 54935
PHONE: (920) 926-9800

TYPICAL LAP DETAIL