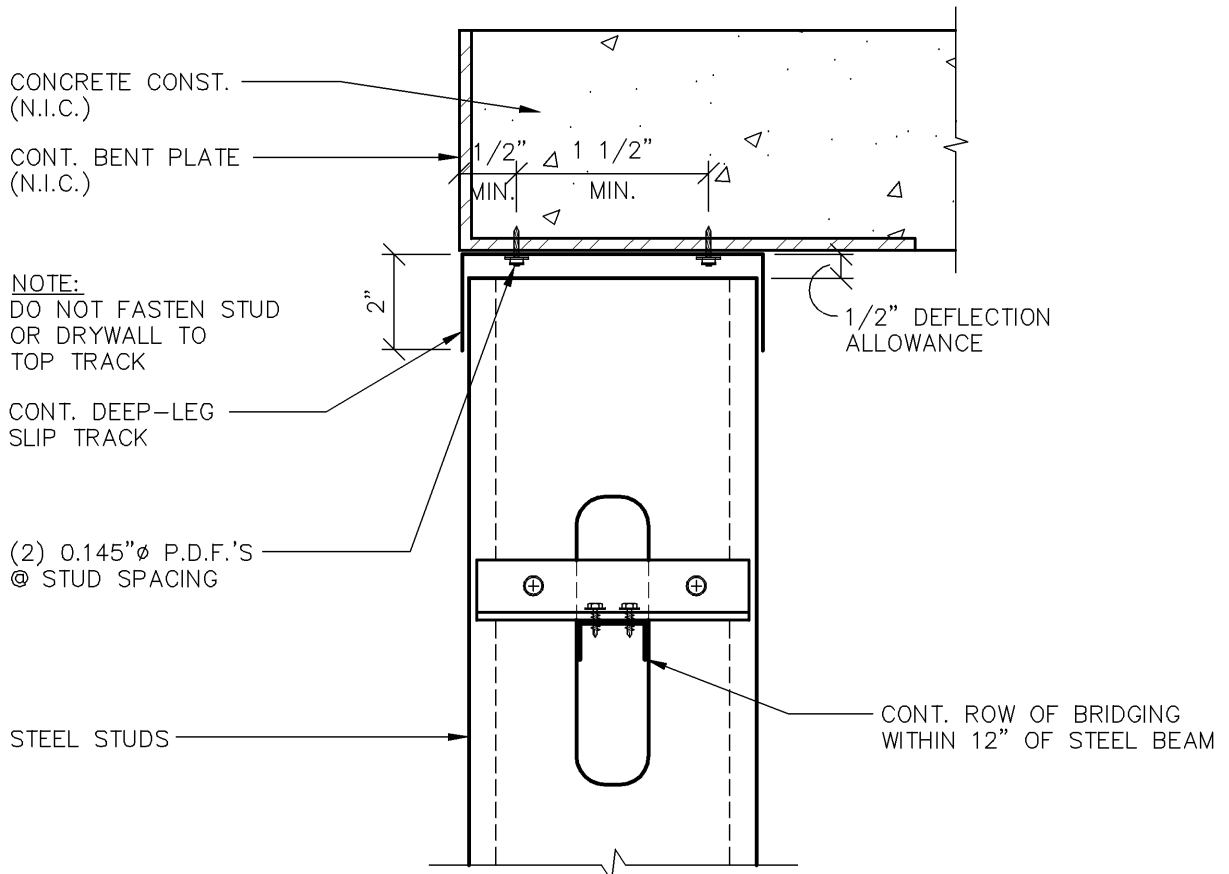


@ JAMB CONDITIONS



TYPICAL FRAMING

TELLING™

BUILDSTRONG
 6272 CENTER STREET
 MENTOR, OHIO 44060
 PHONE: 440-974-3370

DETAIL IS FOR
 REFERENCE ONLY.
 NOT FOR CONSTRUCTION.

DETAIL PROVIDED BY:

EXCEL
 ENGINEERING, L.L.C.

100 CAMELOT DRIVE
 FOND DU LAC, WI 54935
 PHONE: (920) 926-9800

**@ CONCRETE W/ BENT PLATE
 SLIP TRACK ATTACHMENT**