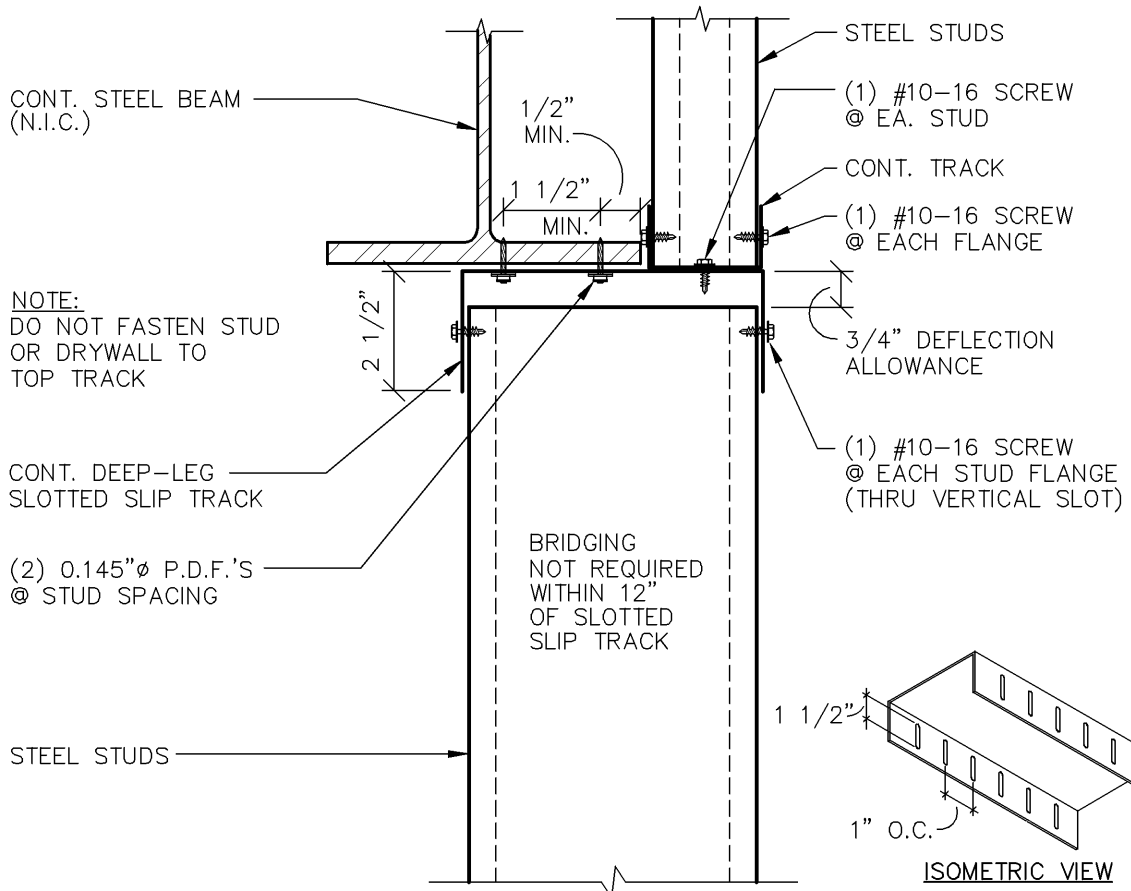
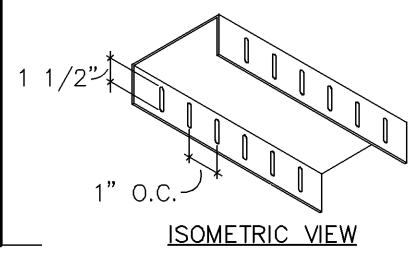


@ JAMB CONDITIONS



TYPICAL FRAMING



ISOMETRIC VIEW

**TELLING™**  
  
**BUILDSTRONG**  
 6272 CENTER STREET  
 MENTOR, OHIO 44060  
 PHONE: 440-974-3370

DETAIL IS FOR  
 REFERENCE ONLY.  
 NOT FOR CONSTRUCTION.

DETAIL PROVIDED BY:

**EXCEL**  
 ENGINEERING, L.L.C.

100 CAMELOT DRIVE  
 FOND DU LAC, WI 54935  
 PHONE: (920) 926-9800

**@ STEEL BEAM  
 SLOTTED SLIP TRACK DETAIL**