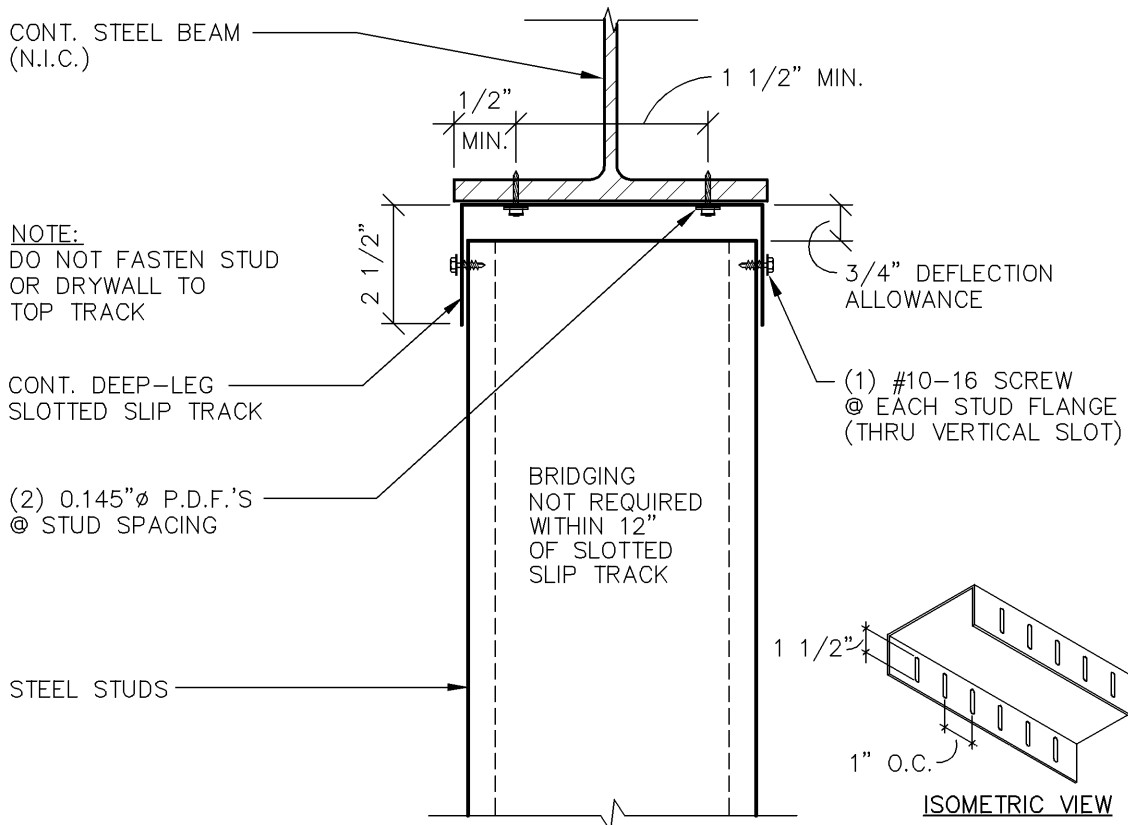


@ JAMB CONDITIONS



TYPICAL FRAMING

@ STEEL BEAM SLOTTED SLIP TRACK DETAIL

TELLING™

BUILDSTRONG
 6272 CENTER STREET
 MENTOR, OHIO 44060
 PHONE: 440-974-3370

DETAIL IS FOR REFERENCE ONLY. NOT FOR CONSTRUCTION.
 DETAIL PROVIDED BY:

EXCEL ENGINEERING
 100 CAMELOT DRIVE
 FOND DU LAC, WI 54935
 PHONE: (920) 926-9800