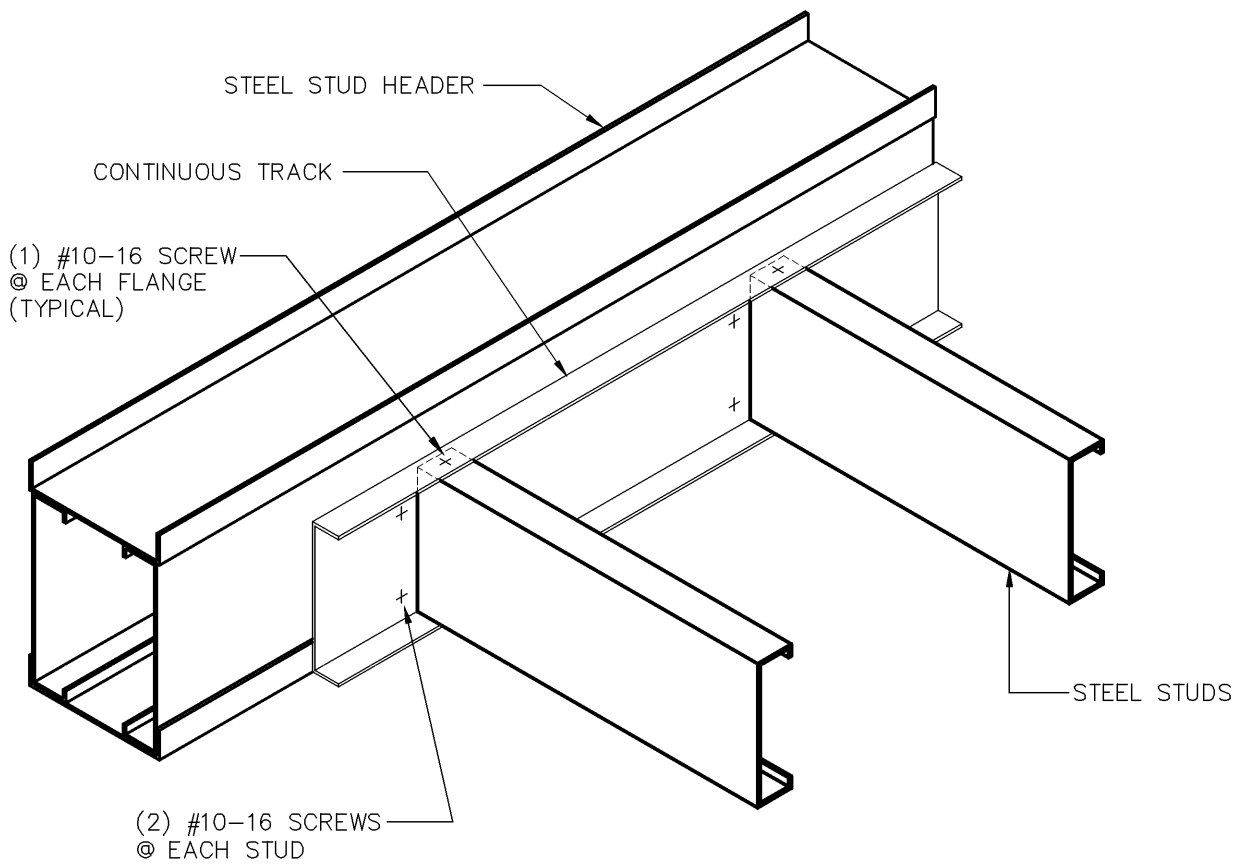


SET STUDS TIGHT INTO TRACK.  
1/8" MAX. GAP ALLOWED



TELLING™



BUILDSTRONG

6272 CENTER STREET  
MENTOR, OHIO 44060  
PHONE: 440-974-3370

DETAIL IS FOR  
REFERENCE ONLY.  
NOT FOR CONSTRUCTION.

DETAIL PROVIDED BY:



100 CAMELOT DRIVE  
FOND DU LAC, WI 54935  
PHONE: (920) 926-9800

# STUD TO HEADER ATTACHMENT