



Design No. V418

BXUV.V418

Fire-resistance Ratings - ANSI/UL 263

[Page Bottom](#)

Design/System/Construction/Assembly Usage Disclaimer

- Authorities Having Jurisdiction should be consulted in all cases as to the particular requirements covering the installation and use of UL Certified products, equipment, system, devices, and materials.
- Authorities Having Jurisdiction should be consulted before construction.
- Fire resistance assemblies and products are developed by the design submitter and have been investigated by UL for compliance with applicable requirements. The published information cannot always address every construction nuance encountered in the field.
- When field issues arise, it is recommended the first contact for assistance be the technical service staff provided by the product manufacturer noted for the design. Users of fire resistance assemblies are advised to consult the general Guide Information for each product category and each group of assemblies. The Guide Information includes specifics concerning alternate materials and alternate methods of construction.
- Only products which bear UL's Mark are considered Certified.

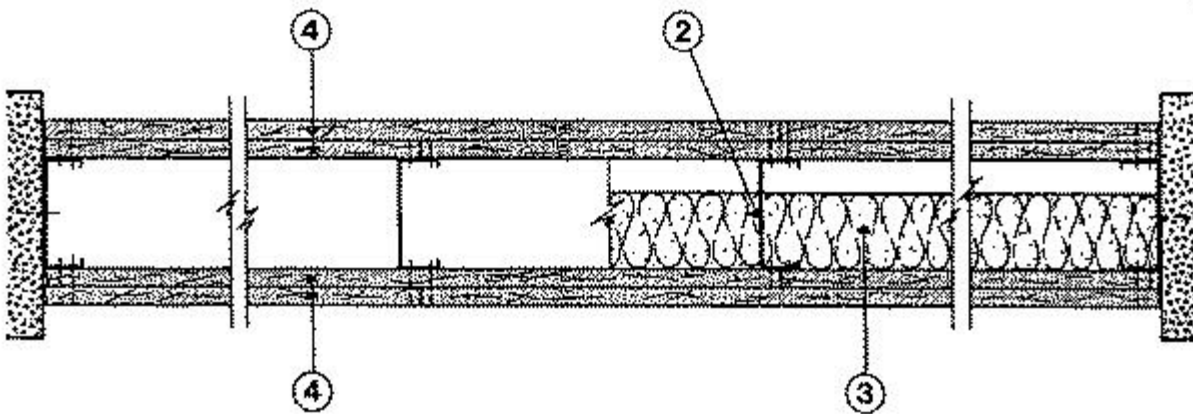
Fire-resistance Ratings - ANSI/UL 263

[See General Information for Fire-resistance Ratings - ANSI/UL 263](#)

Design No. V418

June 06, 2013

Nonbearing Wall Rating — 2 Hr



1. **Floor and Ceiling Runners** — (Not Shown) — 25 MSG (min) galv steel 1 in. high, return legs 1-5/8 in. wide (min), attached to floor and ceiling with fasteners 24 in. OC.

1A. **Framing Members* - Floor and Ceiling Runner** — Not shown - In lieu of Item 1 — For use with Item 2A, proprietary channel shaped runners, 1-1/4 in. deep by min 1-5/8 in. wide fabricated from min 0.020 in. thick galv steel, attached to floor and ceiling with fasteners spaced 24 in. OC max.

CALIFORNIA EXPANDED METAL PRODUCTS CO — Viper20™ Track

MARINO/WARE, DIV OF WARE INDUSTRIES INC — Viper20™ Track

PHILLIPS MFG CO L L C — Viper20™ Track

1B. Framing Members*— Floor and Ceiling Runners — Not shown - In lieu of Item 1 — For use with Item 2B, channel shaped runners, 1-1/4 in. deep by min 1-5/8 in. wide fabricated from min 0.018 in. thick galv steel, attached to floor and ceiling with fasteners spaced 24 in. OC max.

CLARKDIETRICH BUILDING SYSTEMS — CD ProTRAK

DMFCWBS L L C — ProTRAK

MBA BUILDING SUPPLIES — ProTRAK

RAM SALES L L C — Ram ProTRAK

SOUTHEASTERN STUD & COMPONENTS INC — ProTRAK

STEEL STRUCTURAL SYSTEMS L L C — Tri-S ProTRAK

1C. Framing Members* - Floor and Ceiling Runner — Not shown - In lieu of Item 1 — For use with Item 2C, proprietary channel shaped runners, 1-1/4 in. deep by min 1-5/8 in. wide fabricated from min 0.020 in. thick galv steel, attached to floor and ceiling with fasteners spaced 24 in. OC max.

TELLING INDUSTRIES L L C — Viper20™ Track

1D. Framing Members*— Floor and Ceiling Runners — Not shown - In lieu of Item 1 — For use with Item 2D, channel shaped runners, 1-1/4 in. deep by min 1-5/8 in. wide fabricated from min 0.018 in. thick galv steel, attached to floor and ceiling with fasteners spaced 24 in. OC max.

TELLING INDUSTRIES L L C — TRUE-TRACK™

2. Steel Studs — 1-5/8 in. wide (min), 1-1/4 in. legs, 1/4 in. return, formed of 25 MSG (min) galv steel. Max stud spacing 24 in. OC. Studs to be cut 3/4 in. less than assembly height.

2A. Framing Members* - Steel Studs — Not shown - In lieu of Item 2 — For use with Item 1A, proprietary channel shaped steel studs, 1-1/4 in. deep by min 1-5/8 in. wide fabricated from min 0.020 in. thick galv steel. Studs cut 3/4 in. less in length than assembly height. Spaced 24 in. OC max.

CALIFORNIA EXPANDED METAL PRODUCTS CO — Viper20™

MARINO/WARE, DIV OF WARE INDUSTRIES INC — Viper20™

PHILLIPS MFG CO L L C — Viper20™

2B. Framing Members*— Steel Studs — Not shown - In lieu of Item 2 — For use with Item 1B, channel shaped steel studs, 1-1/4 in. deep by min 1-5/8 in. wide fabricated from min 0.018 in. thick galv steel. Studs cut 3/4 in. less in length than assembly height. Spaced 24 in. OC max.

CLARKDIETRICH BUILDING SYSTEMS — CD ProSTUD

DMFCWBS L L C — ProSTUD

MBA BUILDING SUPPLIES — ProSTUD

RAM SALES L L C — Ram ProSTUD

SOUTHEASTERN STUD & COMPONENTS INC — ProSTUD

STEEL STRUCTURAL SYSTEMS L L C — Tri-S ProSTUD

2C. **Framing Members* - Steel Studs** — Not shown - In lieu of Item 2 — For use with Item 1C, proprietary channel shaped steel studs, 1-1/4 in. deep by min 1-5/8 in. wide fabricated from min 0.020 in. thick galv steel. Studs cut 3/4 in. less in length than assembly height. Spaced 24 in. OC max.

TELLING INDUSTRIES L L C — Viper20™

2D. **Framing Members*— Steel Studs** — Not shown - In lieu of Item 2 — For use with Item 1D, channel shaped steel studs, 1-1/4 in. deep by min 1-5/8 in. wide fabricated from min 0.018 in. thick galv steel. Studs cut 3/4 in. less in length than assembly height. Spaced 24 in. OC max.

TELLING INDUSTRIES L L C — TRUE-STUD™

3. **Batts and Blankets*** — Mineral wool batts, partially or completely filling stud cavity.

ROCK WOOL MANUFACTURING CO — Delta Board.

ROCKWOOL MALAYSIA SDN BHD

ROXUL INC

4. **Gypsum Board*** — 1/2 in. thick. Gypsum board applied vertically in two layers. (Laminated System) Inner layer attached to studs with 1 in. long Type S steel screws spaced 24 in. OC along vertical edges, and 24 in. OC in the field. Outer layer laminated to inner layer with joint compound, applied with a notched spreader producing continuous beads of compound about 3/8 in. in diam, spaced not greater than 2 in. OC. Joints of laminated outer layer offset 12 in. from inner layer joints. Outer layer gypsum board attached to inner layer with 1-1/2 in. long Type G steel screws spaced 24 in. OC along edges and center line of each sheet. Optional, (Direct Attached System) Gypsum board applied vertically in two layers. Inner layer attached to studs with 1 in. long Type S steel screws spaced 24 in. OC in the field and along the vertical edges. Outer layer attached to the studs over the inner layer with 1-5/8 in. long Type S steel screws spaced 12 in. OC in the field, along the vertical edges, and to the floor and ceiling runners. Joints of screw-attached outer layer offset from inner layer joints.

Optional, (Direct Attached System), Inner layer gypsum board applied vertically, outer layer gypsum board applied horizontally. Inner layer attached to studs with 1 in. Type S steel screws spaced 24 in. OC along vertical edges and in the field.

Outer layer attached to the studs over the inner layer with 1-5/8 in. long Type S steel screws spaced 12 in. OC in the field, along the vertical edges, and to the floor and ceiling runners. Outer layer secured to inner layer gypsum board with 1-1/2 in. long Type G steel screws located midway between studs and 1 in. from the horizontal joint. Outer layer gypsum board joints covered with joint tape and min two coats of joint compound, and screw heads covered with min two coats of joint compound. As an alternate, nom 3/32 in. thick gypsum veneer plaster may be applied to the entire surface of Classified veneer baseboard. Joints reinforced.

AMERICAN GYPSUM CO — Types AG-C.

CERTAINTED GYPSUM INC — Type FRPC, Type C.

CERTAINTED GYPSUM CANADA INC — Type C.

CGC INC — Type C, IP-X2, IPC-AR or WRC.

GEORGIA-PACIFIC GYPSUM L L C — Types 5, C, DAP, DA, DAPC.

LAFARGE NORTH AMERICA INC — Types LGFC-C, LGFC-C/A

NATIONAL GYPSUM CO — Types FSK-C, FSW-G, FSW-C, FSMR-C.

PABCO BUILDING PRODUCTS L L C, DBA PABCO GYPSUM — Type PG-C

TEMPLE-INLAND — Type TP-5, TG-C.

THAI GYPSUM PRODUCTS PCL — Type C.

UNITED STATES GYPSUM CO — Type C, IP-X2, IPC-AR or WRC

USG MEXICO S A DE C V — Type C, IP-X2, IPC-AR or WRC

4A. **Gypsum Board*** — (As an alternate to Item 4) — 5/8 in. thick. Two layers installed by any method as described in Item 4.

NATIONAL GYPSUM CO — Type FSMR-C.

*Bearing the UL Classification Mark

[Last Updated](#) on 2013-06-06

[Questions?](#)

[Print this page](#)

[Terms of Use](#)

[Page Top](#)

© 2013 UL LLC

When the UL Leaf Mark is on the product, or when the word "Environment" is included in the UL Mark, please search the [UL Environment database](#) for additional information regarding this product's certification.

The appearance of a company's name or product in this database does not in itself assure that products so identified have been manufactured under UL's Follow-Up Service. Only those products bearing the UL Mark should be considered to be Certified and covered under UL's Follow-Up Service. Always look for the Mark on the product.

UL permits the reproduction of the material contained in the Online Certification Directory subject to the following conditions: 1. The Guide Information, Assemblies, Constructions, Designs, Systems, and/or Certifications (files) must be presented in their entirety and in a non-misleading manner, without any manipulation of the data (or drawings). 2. The statement "Reprinted from the Online Certifications Directory with permission from UL" must appear adjacent to the extracted material. In addition, the reprinted material must include a copyright notice in the following format: "© 2013 UL LLC".