



Design No. V486

BXUV.V486
Fire Resistance Ratings - ANSI/UL 263

[Page Bottom](#)

Design/System/Construction/Assembly Usage Disclaimer

- Authorities Having Jurisdiction should be consulted in all cases as to the particular requirements covering the installation and use of UL Certified products, equipment, system, devices, and materials.
- Authorities Having Jurisdiction should be consulted before construction.
- Fire resistance assemblies and products are developed by the design submitter and have been investigated by UL for compliance with applicable requirements. The published information cannot always address every construction nuance encountered in the field.
- When field issues arise, it is recommended the first contact for assistance be the technical service staff provided by the product manufacturer noted for the design. Users of fire resistance assemblies are advised to consult the general Guide Information for each product category and each group of assemblies. The Guide Information includes specifics concerning alternate materials and alternate methods of construction.
- Only products which bear UL's Mark are considered Certified.

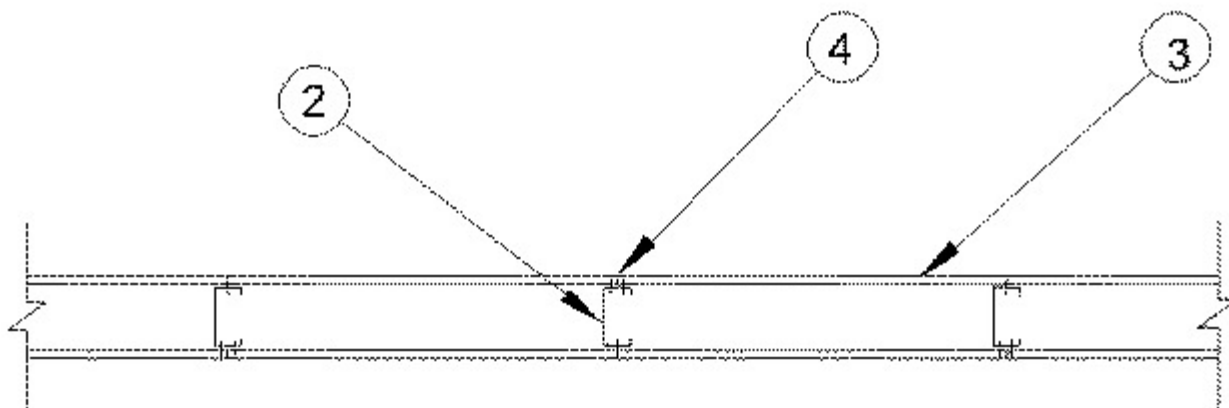
Fire-resistance Ratings - ANSI/UL 263

[See General Information for Fire-resistance Ratings - ANSI/UL 263](#)

Design No. V486

June 06, 2013

Nonbearing Wall Rating — 1, 2 or 2-1/2 Hr (See Items 1, 1A, 1B, 1C, 2, 2A, 2B, 3 through 3F)



1. **Framing Members*— Floor and Ceiling Runners** — (Not shown) — For 1 Hour Rating, channel shaped, min. 3-5/8 in. wide, attached to floor and ceiling with fasteners 24 in. OC max.

ALLSTEEL & GYPSUM PRODUCTS INC — Type SUPREME Framing System

CALIFORNIA EXPANDED METAL PRODUCTS CO — Viper25™Track

CONSOLIDATED FABRICATORS CORP, BUILDING PRODUCTS DIV — Type SUPREME Framing System

MARINO/WARE, DIV OF WARE INDUSTRIES INC — Viper25™Track

PHILLIPS MFG CO L L C — Viper25™ Track

QUAIL RUN BUILDING MATERIALS INC — Type SUPREME Framing System

SCAFCO STEEL STUD MANUFACTURING CO — Type SUPREME Framing System

STEEL CONSTRUCTION SYSTEMS INC — Type SUPREME Framing System

TELLING INDUSTRIES L L C — Viper25™ Track

UNITED METAL PRODUCTS INC — Type SUPREME Framing System

1A. **Framing Members*— Floor and Ceiling Runners** — (Not shown) — For 2 and 2-1/2 Hour Ratings, channel shaped, min. 2-1/2 in. wide, attached to floor and ceiling with fasteners 24 in. OC. max.

ALLSTEEL & GYPSUM PRODUCTS INC — Type SUPREME Framing System

CONSOLIDATED FABRICATORS CORP, BUILDING PRODUCTS DIV — Type SUPREME Framing System

QUAIL RUN BUILDING MATERIALS INC — Type SUPREME Framing System

SCAFCO STEEL STUD MANUFACTURING CO — Type SUPREME Framing System

STEEL CONSTRUCTION SYSTEMS INC — Type SUPREME Framing System

UNITED METAL PRODUCTS INC — Type SUPREME Framing System

1B. **Framing Members*— Floor and Ceiling Runners** — (For use with Items 3B, 3C, 3E and 3F only) — For 2 Hour Rating, min. 1-5/8 in. wide, attached to floor and ceiling with fasteners 24 in. OC. max.

ALLSTEEL & GYPSUM PRODUCTS INC — Type SUPREME Framing System

CONSOLIDATED FABRICATORS CORP, BUILDING PRODUCTS DIV — Type SUPREME Framing System

QUAIL RUN BUILDING MATERIALS INC — Type SUPREME Framing System

SCAFCO STEEL STUD MANUFACTURING CO — Type SUPREME Framing System

STEEL CONSTRUCTION SYSTEMS INC — Type SUPREME Framing System

UNITED METAL PRODUCTS INC — Type SUPREME Framing System

2. Framing Members*— Steel Studs — For 1 Hour Rating, channel shaped studs, min. 3-5/8 in. wide, spaced a max of 24 in. OC. Studs to be cut 3/4 in. less than assembly height.

ALLSTEEL & GYPSUM PRODUCTS INC — Type SUPREME Framing System

CALIFORNIA EXPANDED METAL PRODUCTS CO — Viper25™

CONSOLIDATED FABRICATORS CORP, BUILDING PRODUCTS DIV — Type SUPREME Framing System

MARINO/WARE, DIV OF WARE INDUSTRIES INC — Viper25™

PHILLIPS MFG CO L L C — Viper25™

QUAIL RUN BUILDING MATERIALS INC — Type SUPREME Framing System

SCAFCO STEEL STUD MANUFACTURING CO — Type SUPREME Framing System

STEEL CONSTRUCTION SYSTEMS INC — Type SUPREME Framing System

TELLING INDUSTRIES L L C — Viper25™

UNITED METAL PRODUCTS INC — Type SUPREME Framing System

2A. Framing Members*— Steel Studs — For 2 or 2-1/2 Hour Ratings, min. 2-1/2 in. wide, spaced a max of 24 in. OC. Studs to be cut 3/4 in. less than assembly height.

ALLSTEEL & GYPSUM PRODUCTS INC — Type SUPREME Framing System

CONSOLIDATED FABRICATORS CORP, BUILDING PRODUCTS DIV — Type SUPREME Framing System

QUAIL RUN BUILDING MATERIALS INC — Type SUPREME Framing System

SCAFCO STEEL STUD MANUFACTURING CO — Type SUPREME Framing System

STEEL CONSTRUCTION SYSTEMS INC — Type SUPREME Framing System

UNITED METAL PRODUCTS INC — Type SUPREME Framing System

2B. Framing Members*— Steel Studs — (For use with items 3B, 3C, 3E and 3F only) - For 2 Hour Rating, 1-5/8 in. wide, spaced a max of 24 in. OC. Studs to be cut 3/4 in. less than assembly height.

ALLSTEEL & GYPSUM PRODUCTS INC — Type SUPREME Framing System

CONSOLIDATED FABRICATORS CORP, BUILDING PRODUCTS DIV — Type SUPREME Framing System

QUAIL RUN BUILDING MATERIALS INC — Type SUPREME Framing System

SCAFCO STEEL STUD MANUFACTURING CO — Type SUPREME Framing System

STEEL CONSTRUCTION SYSTEMS INC — Type SUPREME Framing System

UNITED METAL PRODUCTS INC — Type SUPREME Framing System

3. **Gypsum Board*** — For 1 Hour rating, one layer of 5/8 in. thick gypsum board applied vertically to studs with #6 x 1-1/4 in. long bugle head screws spaced 8 in. OC at the perimeter and 12 in. OC in the field of the boards. Vertical joints are staggered from vertical joints on opposite sides of the wall.

UNITED STATES GYPSUM CO — Type C

3A. **Gypsum Board*** — (As an alternate to Item 3) For 1 Hour Rating, use one layer of 5/8 in. thick gypsum board applied vertically to studs with #6 x 1 in. long bugle head screws spaced 8 in. OC at the perimeter and 8 in. OC in the field of the boards. Vertical joints are staggered from vertical joints on opposite sides of the wall. For 2 Hour Rating (Not shown), use two layers of 5/8 in. thick gypsum board applied horizontally. Base layer of board attached to studs with #6 x 1 in. long bugle head screws spaced 16 in. OC. starting 8 in. from the edge of the board with one screw 1-1/4 in. from the edge. Face layer of board attached to studs with #6 x 1-5/8 in. long bugle head screws spaced 16 in. OC. Starting 8 in. from the edge of the board with one screw 1-1/4 in. from the edge. Horizontal joints on the face layer are staggered 12 in. from the base layer.

CGC INC — Type SCX.

UNITED STATES GYPSUM CO — Type SCX.

USG MEXICO S A DE C V — Type SCX.

3B. **Gypsum Board*** — (As an alternate to Item 3) - For 1 hr rating (Vertical application) — One layer of 5/8 in. thick gypsum board applied vertically to studs with #6 x 1-1/4 in. long bugle head screws spaced 8 in. OC at the perimeter and 12 in. OC in the field of the boards. Vertical joints are centered over studs and staggered from vertical joints on opposite sides of the wall. For 2 hr rating (Vertical application - Not shown) — Two layers of 5/8 in. thick gypsum board applied vertically. Inner layer attached to studs with #6 x 1 in. long bugle head screws spaced 12 in. OC along the top and bottom tracks and 16 in. OC in the field and along the vertical edges. Outer layer attached to studs with #6 x 1-5/8 in. long bugle head screws spaced 12 in. OC along the top and bottom tracks and 16 in. OC in the field and along the vertical edges with screws offset 8 in. from inner layer. Vertical joints are centered over studs and staggered between layers and on opposite sides of the wall. For 2 hr rating (Horizontal application) — Two layers of 5/8 in. thick gypsum board applied horizontally. Inner layer attached to studs with #6 x 1 in. long Type S bugle head screws spaced 24 in. OC with the 1st screw installed 1-1/4 in. from the board edge and to the track only spaced 24 in. OC. Outer layer attached to studs with 1-5/8 in. long Type S bugle head screws spaced 16 in. OC with the 1st and 2nd screws installed 1-1/4 in. and 8 in. from the board edge, respectively; and to the track only spaced 16 in. OC. Horizontal joints on the face layer are staggered 12 in. from the base layer.

NATIONAL GYPSUM CO — Types FSK, FSK-C, FSL, FSW, FSW-6, FSW-C, SoundBreak XP Type X Gypsum Board (vertical installation only)

3C. **Gypsum Board*** — (As an alternate to Item 3) - For 1 hr rating — One layer of 5/8 in. thick gypsum board applied vertically to the studs with #6 x 1-1/4 in. long bugle head screws spaced 8 in. OC at the vertical edges, starting 4 in. from the top and bottom, 12 in. OC in the field of the boards, starting 6 in. from the top and bottom, and to the top and bottom tracks spaced 8 in. OC, starting 1-1/2 in. and 4 in. from the sides of the board. Vertical joints are centered over studs and staggered from vertical joints on opposite sides of the wall. For 2 hr rating (Not shown) — Two layers of 5/8 in. thick gypsum board applied vertically. Inner layer attached to the studs with #6 x 1 in. long bugle head screws spaced 16 in. OC in the field and along the vertical edges, starting 3 in. and 12 in. from the top and bottom, and to the top and bottom tracks spaced 12 in. OC, starting 3 in. and 12 in. from the sides of the board. Outer layer attached to the studs with #6 x 1-5/8 in. long bugle head screws spaced 16 in. OC in the field and along the vertical edges, starting 2 in. and 4 in. from the top and bottom, and to the top and bottom tracks spaced 12 in. OC, starting 2 in. and 6 in. from the

sides of the board. Vertical joints are centered over studs and staggered between layers and on opposite sides of the wall.

LAFARGE NORTH AMERICA INC — Type LGFC6A, LGFC-C/A

3D. Gypsum Board* — (As an alternate to Item 3) -For 1 Hour Rating - One layer of 5/8 in. thick, 4 ft. wide, gypsum board applied vertically to studs with #6 x 1 in. long bugle head screws spaced 8 in. OC at the perimeter, starting 4 in. from the edge of the boards, and 12 in. OC in the field of the boards, starting 6 in. from the edge of the board. Vertical joints are staggered from vertical joints on opposite sides of the wall. For 2 or 2-1/2 Hour Rating - Two layers of 5/8 in. thick, 4 ft. wide, gypsum board applied vertically. Inner layer attached with #6 x 1 in. long bugle head screws spaced 12 in. OC along the top and bottom tracks with one screw located 6 in. from each edge of the board and 16 in. OC along the studs with one screw located 8 in. from one edge of the board. Outer layer attached with #6 x 1-5/8 in. long bugle head screws spaced 12 in. OC along the top and bottom tracks with one screw located 1-1/2 in. from each edge of the board and 16 in. OC along the studs with one screw located 8 in. from one edge of the board as to offset the face layer screws 8 in. from the base layer screws. Vertical joints are centered over studs and staggered between layers and on opposite sides of the wall.

AMERICAN GYPSUM CO — Types AGX-1, M-Glass

3E. Gypsum Board* — For 1 hr rating (Vertical application) — One layer of 5/8 in. thick gypsum board applied vertically to studs with 1 in. long Type-S bugle head screws spaced 8 in. OC at the perimeter and 12 in. OC in the field with the 1st screw installed 4 in. from the board edges at the perimeter and 6 in. from the board edge in the field. Vertical joints are centered over studs and staggered from vertical joints on opposite sides of the wall. For 1 hr rating (Horizontal application) — One layer of 5/8 in. thick gypsum board applied horizontally to studs with 1 in. long Type-S bugle head screws spaced 8 in. OC at the perimeter and in the field with the 1st screw installed 4 in. from the board edge. Horizontal joints need not be staggered on opposite faces or backed by steel framing. For 2 hr rating (Horizontal application) — Two layers of 5/8 in. thick gypsum board applied horizontally. The base layer is attached to the studs, with #6 x 1 in. long Type-S bugle head screws, spaced 16 in. OC with the 1st and 2nd screws installed 1 in. and 8 in. from the board edge, respectively; and to the track spaced 16 in. OC. with the 1st screw installed 3 in. from the board edge. The face layer attached to the studs with 1-5/8 in. long Type S bugle head screws spaced 16 in. OC. with the 1st and 2nd screws installed 1 in. and 8 in. from the board edge, respectively; and to the track spaced 16 in. OC. with the 1st and 2nd screws installed 2 in. and 11 in. from the board edge. Horizontal joints need not be staggered on opposite faces or backed by steel framing. Face layer horizontal joints must be staggered a minimum 12 in. from the base layer when applied horizontally. For 2 hr rating (Vertical application) - Two layers of 5/8 in. thick gypsum boards applied vertically. The base layer attached to the studs with #6 x 1 in. long Type-S bugle head screws, spaced 16 in. OC. with 1st screws installed 8 in. from the board edge in the field and 3 in. from the board edge in the perimeter. The face layer attached to the studs with #6 x 1-5/8 in. long Type-S bugle head screws, spaced 16 in. OC. with 1st screw installed 16 in. from the board edge in the field and 1st and 2nd screws installed 2 in. and 11 in. from the board edge in the perimeter, respectively. Vertical joints are centered over studs and staggered between layers and on opposite sides of the wall.

CERTAINTED GYPSUM INC — Type X, Type C, Type EGRG, Type GlasRoc

CERTAINTED GYPSUM CANADA INC — Type X, Type Abuse Resistant, Type C

THAI GYPSUM PRODUCTS PCL — Type X, Type C

3F. Gypsum Board* — (As an alternate to Item 3) - For 1 hr rating (Vertical application) — One layer of 5/8 in. thick gypsum board applied vertically to studs with #6 x 1 in. long bugle head screws spaced 8 in. OC at the perimeter and 12 in. OC in the field of the boards. Vertical joints are centered over studs and staggered from vertical joints on opposite sides of the wall. For 2 hr rating (Vertical application - Not shown) — Two layers of 5/8 in. thick gypsum board applied vertically. Inner layer attached to studs with #6 x 1 in. long bugle head screws spaced 24 in. OC along the top and bottom tracks and 24 in. OC in the field and along the vertical edges. Outer layer attached to studs with #6 x 1-5/8 in. long bugle head screws spaced 16 in. OC along the top and bottom tracks and 16 in. OC in the field and along the vertical edges. Vertical joints are centered over studs and staggered between layers and on opposite sides of the wall. For 2 hr rating (Horizontal application) — Two layers of 5/8 in. thick gypsum board applied horizontally. Inner layer attached to studs with #6 x 1 in. long Type S bugle head screws spaced 24 in. OC with the 1st screw installed 1-1/4 in. from the board edge and to the track only spaced 24 in. OC. Outer layer attached to studs with 1-5/8 in. long Type S bugle head screws spaced 16 in. OC with the 1st and 2nd screws installed 1-1/4 in. and 8 in. from the board edge, respectively; and to the track only spaced 16 in. OC. Horizontal joints on the face layer are staggered 12 in. from the base layer.

GEORGIA-PACIFIC GYPSUM L L C — For 1 hr rating Types 5, 6, 9, C, DAP, DAPC, DGG, DS; For 2 hr rating Types 5, 6, 9, C, DAP, DAPC, DGG, DS.

3G. Gypsum Board* — (As an alternate to Item 3) - For 1 hr rating - Nom 5/8 in. thick gypsum panels with beveled, square or tapered edges, applied vertically or horizontally. Vertical joints centered over studs and staggered one stud cavity on opposite sides of studs. Horizontal edge joints and horizontal butt joints on opposite sides of studs need not be staggered or backed by steel framing. Panels attached to steel studs and floor runner with 1 in. long Type S steel screws spaced 8 in. OC when applied horizontally, or 8 in. OC along vertical and bottom edges and 12 in. OC in the field when panels are applied vertically. When used in widths other than 48 in., gypsum panels to be installed horizontally.

CGC INC — Type ULX.

UNITED STATES GYPSUM CO — Type ULX.

USG MEXICO S A DE C V — Type ULX.

4. Joint Tape and Compound — Vinyl or casein, dry or premixed joint compound applied in two coats to outer layer joints and screw heads. Paper tape, nom 2 in. wide, embedded in first layer of compound over all joints.

5. Batts and Blankets* — (Optional, Not Shown). Friction fit in stud cavities, any glass fiber or mineral wool insulation bearing the UL Classification Marking as to Fire Resistance. See Batts and Blankets (BZJZ) for names of Classified companies.

6. Resilient Channels — (Optional, not shown) — Resilient furring channels fabricated from min. 25 MSG corrosion-protected steel, spaced vertically a max of 24 in. OC. flange portion attached to each intersecting stud with 1/2 in. long Type S-12 pan-head steel screws.

*Bearing the UL Classification Mark

[Last Updated](#) on 2013-06-06

[Questions?](#)

[Print this page](#)

[Terms of Use](#)

[Page Top](#)

© 2013 UL LLC

When the UL Leaf Mark is on the product, or when the word "Environment" is included in the UL Mark, please search the [UL Environment database](#) for additional information regarding this product's certification.

The appearance of a company's name or product in this database does not in itself assure that products so identified have been manufactured under UL's Follow-Up Service. Only those products bearing the UL Mark should be considered to be Certified and covered under UL's Follow-Up Service. Always look for the Mark on the product.

UL permits the reproduction of the material contained in the Online Certification Directory subject to the following conditions: 1. The Guide Information, Assemblies, Constructions, Designs, Systems, and/or Certifications (files) must be presented in their entirety and in a non-misleading manner, without any manipulation of the data (or drawings). 2. The statement "Reprinted from the Online Certifications Directory with permission from UL" must appear adjacent to the extracted material. In addition, the reprinted material must include a copyright notice in the following format: "© 2013 UL LLC".