

# TRUE-BRIDGE

Patent # 10,508,446 | 10,563,401

## TRUE-BRIDGE CLIPS

True-Bridge Clips are a highly engineered new product from Telling used with True-Brace or traditional CRC mechanical bridging.

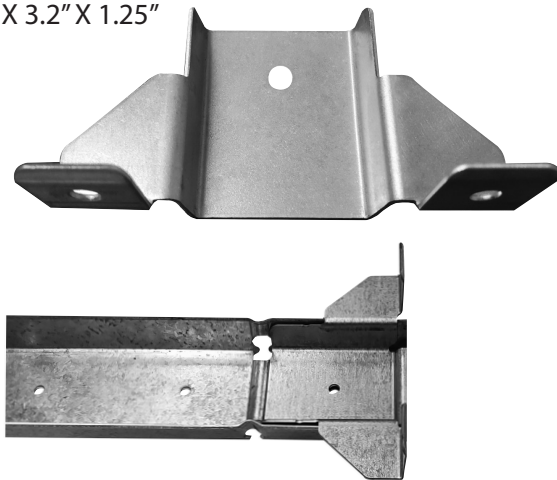
Telling's True-bridge clips were engineered with the installer in mind. The ergonomic design facilitates easy screw drive access and hands free assembly.

The patented True-Bridge Clips are made of 18 gauge, premium steel and are available in two functional designs, terminating and joining.

### TYPES OF TRUE-BRIDGE CLIPS:

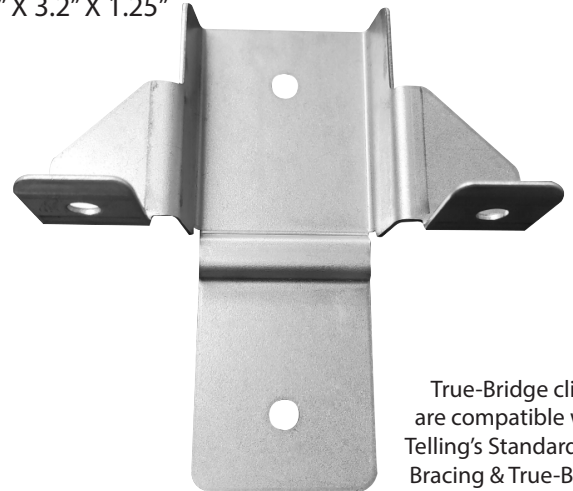
#### True-Bridge Clip (Terminating)

- Used to join True-Brace to a Stud at a corner, doorway, or end of wall
- 1.75" X 3.2" X 1.25"



#### True-Bridge Clip (Joining)

- Used to joint True-Brace to True-Brace or CRC to CRC for higher load applications
- 3.5" X 3.2" X 1.25"



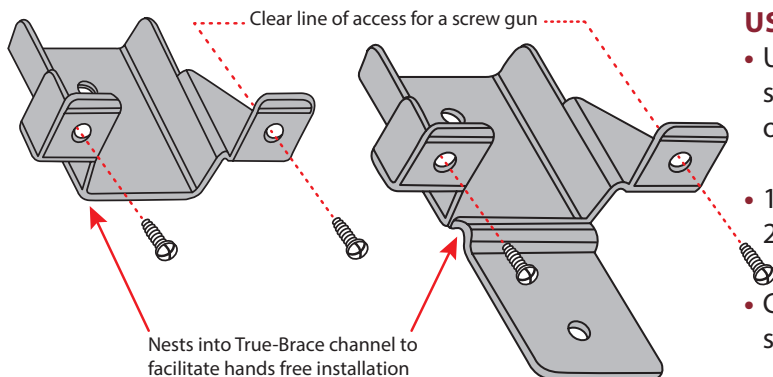
True-Bridge clips are compatible with Telling's Standard CRC Bracing & True-Brace.

#### FEATURES:

- Made of Galvanized Steel
- Highly Engineered for Ease of Installation
- Slides easily into place when used in conjunction with True-Brace

#### BENEFITS:

- Reduces Installation Time
- 10% Savings on Material and Labor Costs
- No Clips or Welding Required
- Easy Installation due to patented design



#### USES:

- Used to join True-Brace to a stud at a corner, doorway, or end of wall
- 1 Screw to True-Brace and up to 2 Screws to Stud
- Clip is also compatible with standard CRC Bracing



## Innovative, Responsive Solutions for All Your Metal Framing Needs

www.buildstrong.com • 1-866-372-6384

