

TRUE BRACE



Patent 10,309,107 | 10,590,647

INTRODUCING TRUE-BRACE, A NEW PRODUCT INNOVATION FROM TELLING INDUSTRIES

True-Brace is used as mechanical bridging for studs. Typically, U-Channel or CRC, is attached to studs via clips or a weld to eliminate stud rotation and bending under wind or axial loads. 1-1/2" True-Brace is passed through the stud knockout and snapped securely into place with Telling's patented technology saving valuable time and money.

True-Brace features an innovative, highly engineered design that securely locks the True-Brace into the stud slot hole without the need for clips or welding for most non-structural applications.



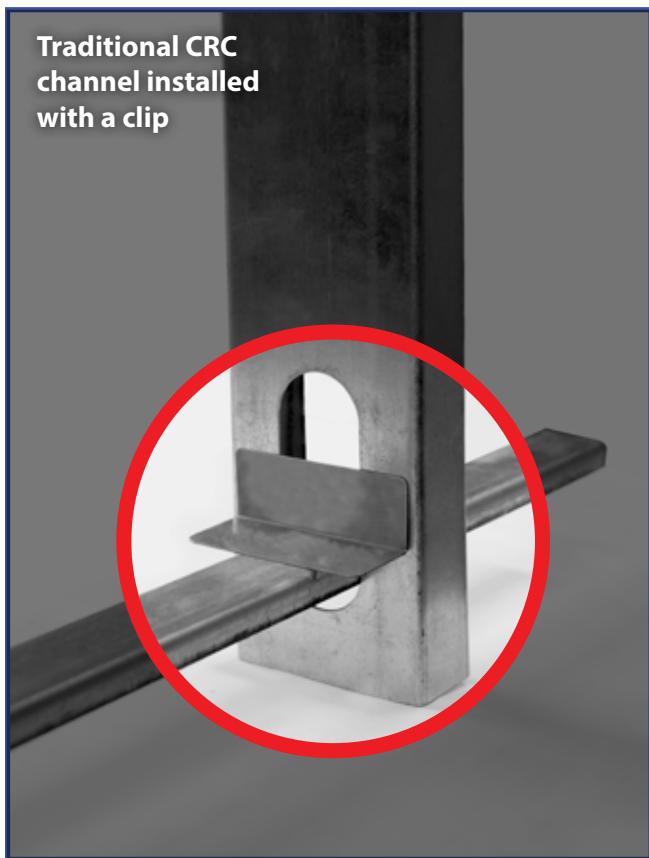
Features:

- Made of Galvanized Steel
- Highly Engineered for Secure Fit in Stud Knockout
- True-Brace Locks into the Stud without Clips or Welding
- Notches every 4" to accommodate 12", 16", 24" OC Stud Spacing

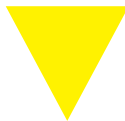
Benefits:

- Reduces Installation Time
- 10% Savings on Material and Labor Costs
- No Clips or Welding Required
- Easy Installation due to patented design

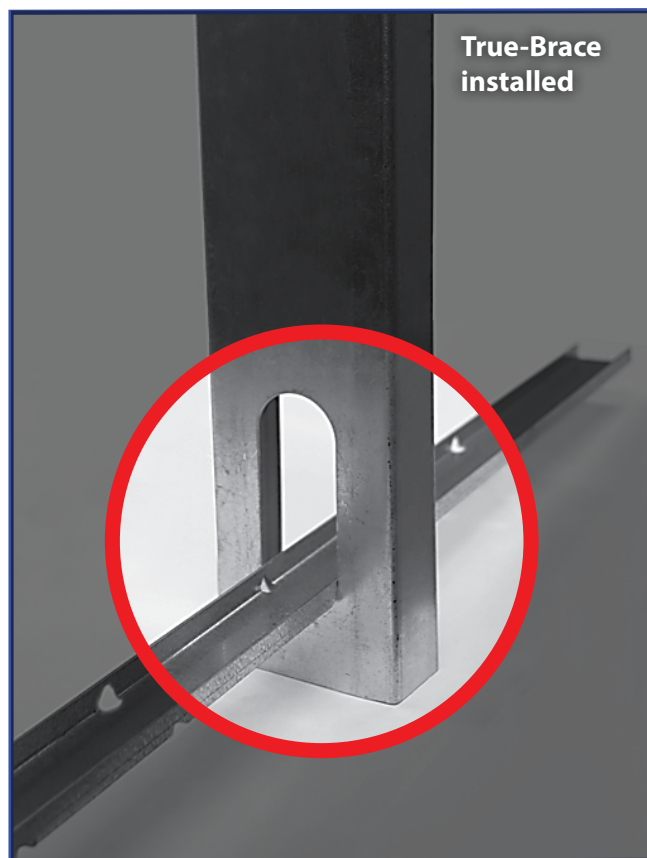
Traditional CRC
channel installed
with a clip



SEE
THE
VIDEO



True-Brace
installed





Product Data:

- Available in galvanized steel meeting ASTM A-1003 or hot-dipped galvanized steel meeting ASTM A-653, G60.
- Lengths: 52" stock length. (Other lengths available in 4" increments).
- Patent # 10,309,107 (True-Brace), Patent # 10,508,446 (True-Bridge).

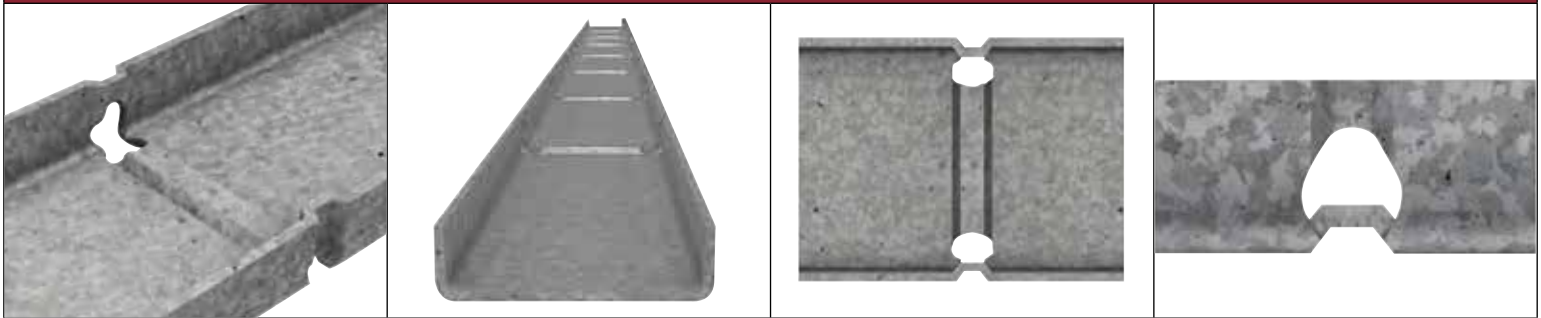
Uses:

- Bridging, (lateral support) in walls carrying axial and/or wind loads.
- Clips are not required for many non-load bearing applications.

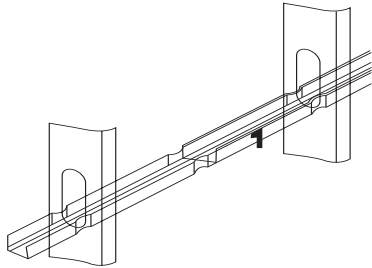
Section	Design Thickness (in)		Gross Properties								
			Fy (ksi)	Web (in)	Area (in ²)	Weight (lb/ft)	Ixx (in ⁴)	Sx (in ³)	Rx (in)	Iyy (in ⁴)	Ry (in)
TB150-54	0.0566	0.0538	50	1.57	0.132	0.45	0.0460	0.0053	0.590	0.002	0.125

Section	Design Thickness (in)		Effective Properties							
			Fy (ksi)	Web (in)	Area (in ²)	Weight (lb/ft)	Ixd (in ⁴)	Sxe (in ³)	Ma-L (in-k)	Vax (lb)
TB150-54	0.0566	0.0538	50	1.57	0.132	0.45	0.0460	0.0053	1.586	1464

Product Details



True-Brace with self nesting geometry to fit one part inside of another and secured with a screw.
 True-Brace locking features spaced every 4" to accommodate 12", 16" and 24" on center stud spacing.

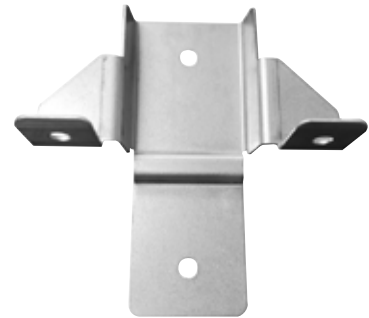
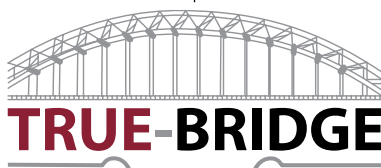


Accessories

True-Bridge Clip (Terminating)

True-Bridge Clip (Joining)

US Patent # 10,508,446



True-Bridge clips are compatible with Telling's Standard CRC Bracing & True-Brace.



Innovative, Responsive Solutions for All Your Metal Framing Needs

www.buildstrong.com • 1-866-372-6384

