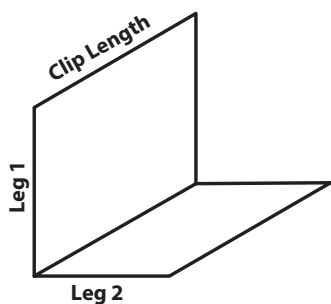


UTILITY ANGLED/ROLLED ANGLE & CLIP ANGLES WITH CUSTOM HOLES



UTILITY ANGLE/ROLLED ANGLE (RA)



Note: 4 Screws min.

PRODUCT DATA:

- Available in most sizes, lengths, and gauges
- 14ga standard right angle: 1.5" x 1.5" and 2.0" x 2.0"--16ga, 18ga standard right angle, 30mil, 20S 33mil: 1.5" x 1.5", 2.0" x 2.0", 3.0" x 3.0"
- 12ga, and any specialty angles > 3"x3" up to 8"x 8"

USES:

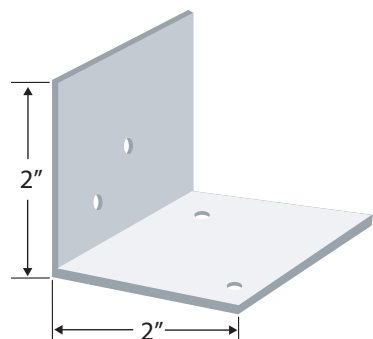
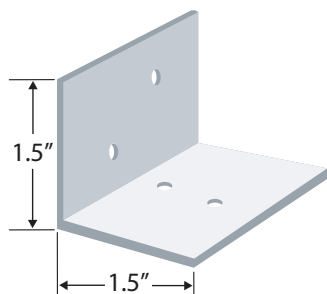
- For miscellaneous attachments of intersection framing components
- For attachment of joist framing components to flush mounted headers
- For attachment of solid blocking sections to adjacent studs of joists
- For alternate screw attachment of CRC bridging to stud webs in lieu direct weld
- For 90 degree corner enclosures at lapped framing location; provides in-plane stability of framework

HOLE STANDARD OFFERING:

- Max of 6 hole grouping pattern, next pattern 1" apart.
 - 2 holes can be a max of 3" center line to center line side by side due to the width of the drill head attachment.
 - The 6 holes must be within a 10" length due to the length of the drill head attachment
- Slots: Please inquire
- Hole sizes: (#6, #8, #10, & #12 screw sizes)
 - Min hole size = 7/64" for a #6 screw
 - Must have 1/8" for #8 screw
 - Must have 5/32" hole for #10 screw
 - Must have 3/16" hole for #12 screw
 - Max hole size = 3/8"
- Dimensioned drawing or sketch of hole pattern & locations are required

RIGHT ANGLE/CLIP ANGLE CUSTOM HOLES:

- Custom drilled holes are available in the following gauges & sizes for right angles:
- 14ga standard right angle: 1.5" x 1.5" and 2.0" x 2.0"
 - 16ga, 18ga standard right angle, 30mil, 20S 33mil: 1.5" x 1.5", 2.0" x 2.0", 3.0" x 3.0"
 - 12ga, and any specialty angles > 3"x3" up to 8"x 8"

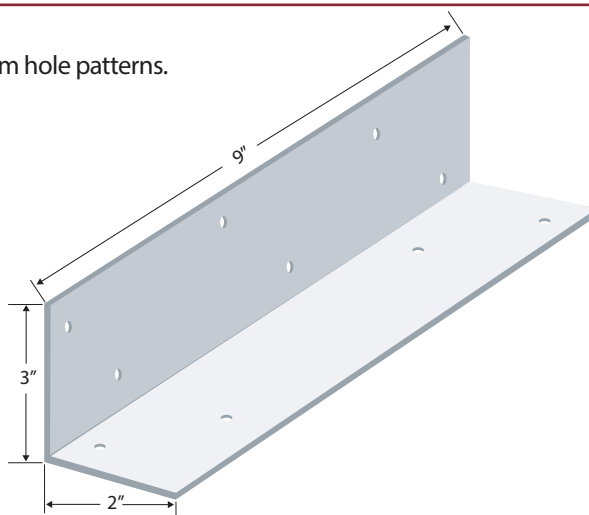
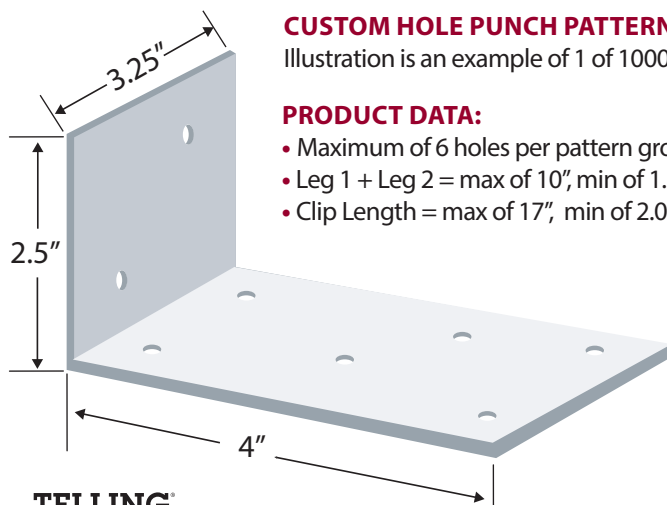


CUSTOM HOLE PUNCH PATTERNS

Illustration is an example of 1 of 1000's of possible custom hole patterns.

PRODUCT DATA:

- Maximum of 6 holes per pattern grouping
- Leg 1 + Leg 2 = max of 10", min of 1.5"
- Clip Length = max of 17", min of 2.0"



Innovative, Responsive Solutions for All Your Metal Framing Needs

www.buildstrong.com • 1-866-372-6384

