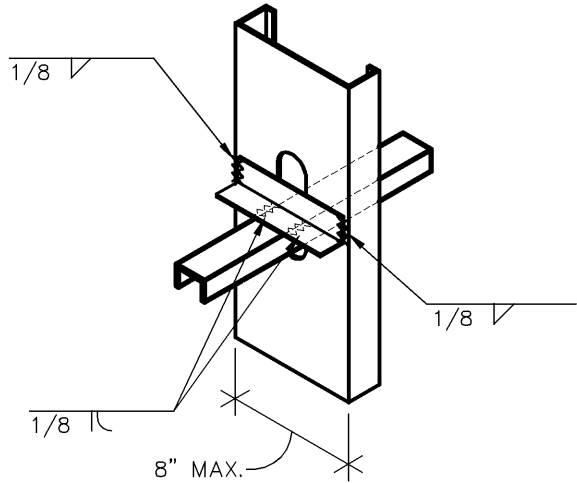
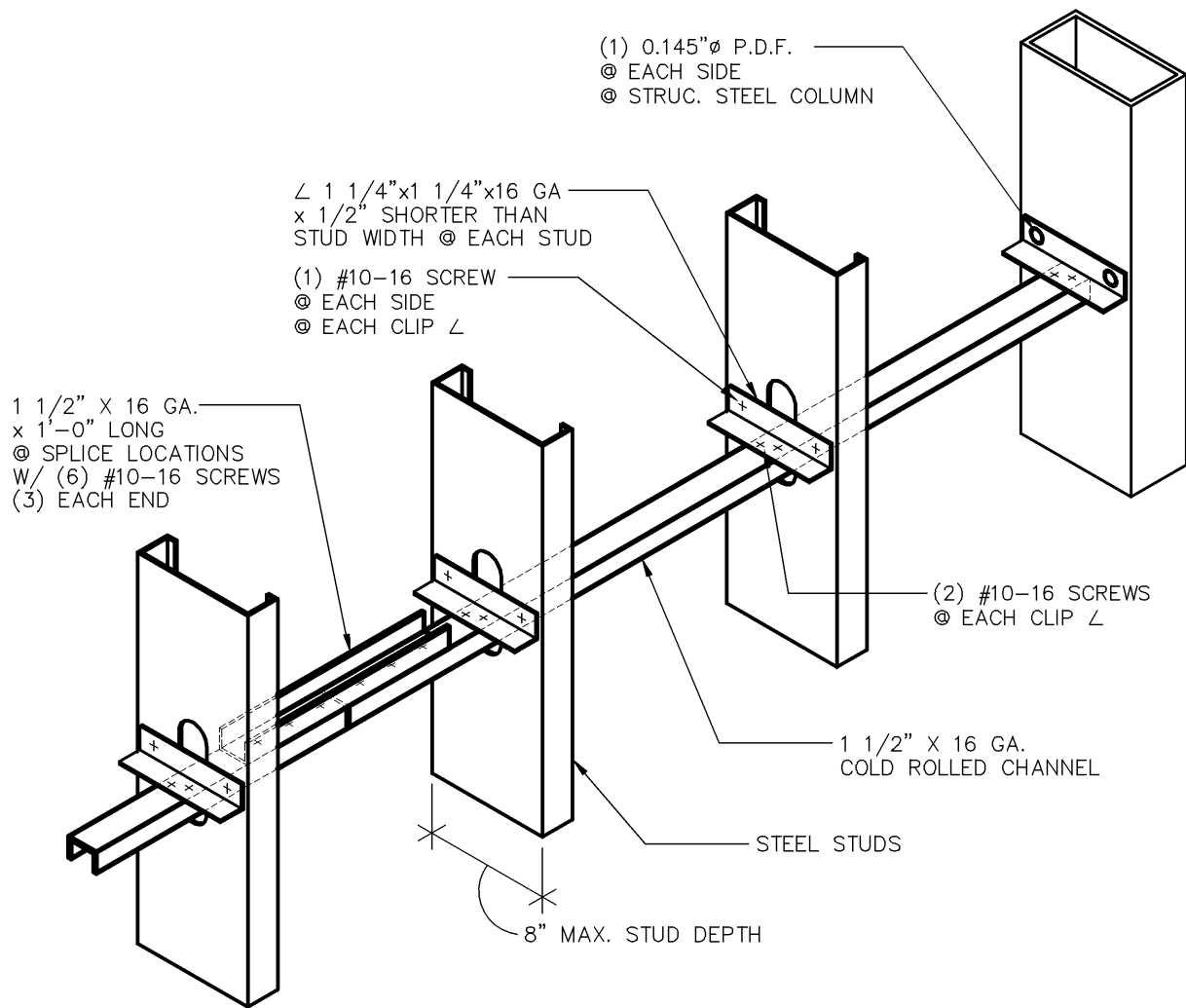


6" MAX. STUD DEPTH  
ALTERNATE  
WELDED ATTACHMENT



8" MAX. STUD DEPTH  
ALTERNATE  
WELDED ATTACHMENT



6272 CENTER STREET  
 MENTOR, OHIO 44060  
 PHONE: 440-974-3370

DETAIL IS FOR  
 REFERENCE ONLY.  
 NOT FOR CONSTRUCTION.



100 CAMELOT DRIVE  
 FOND DU LAC, WI 54935  
 PHONE: (920) 926-9800

# COLD ROLLED CHANNEL BRIDGING DETAIL