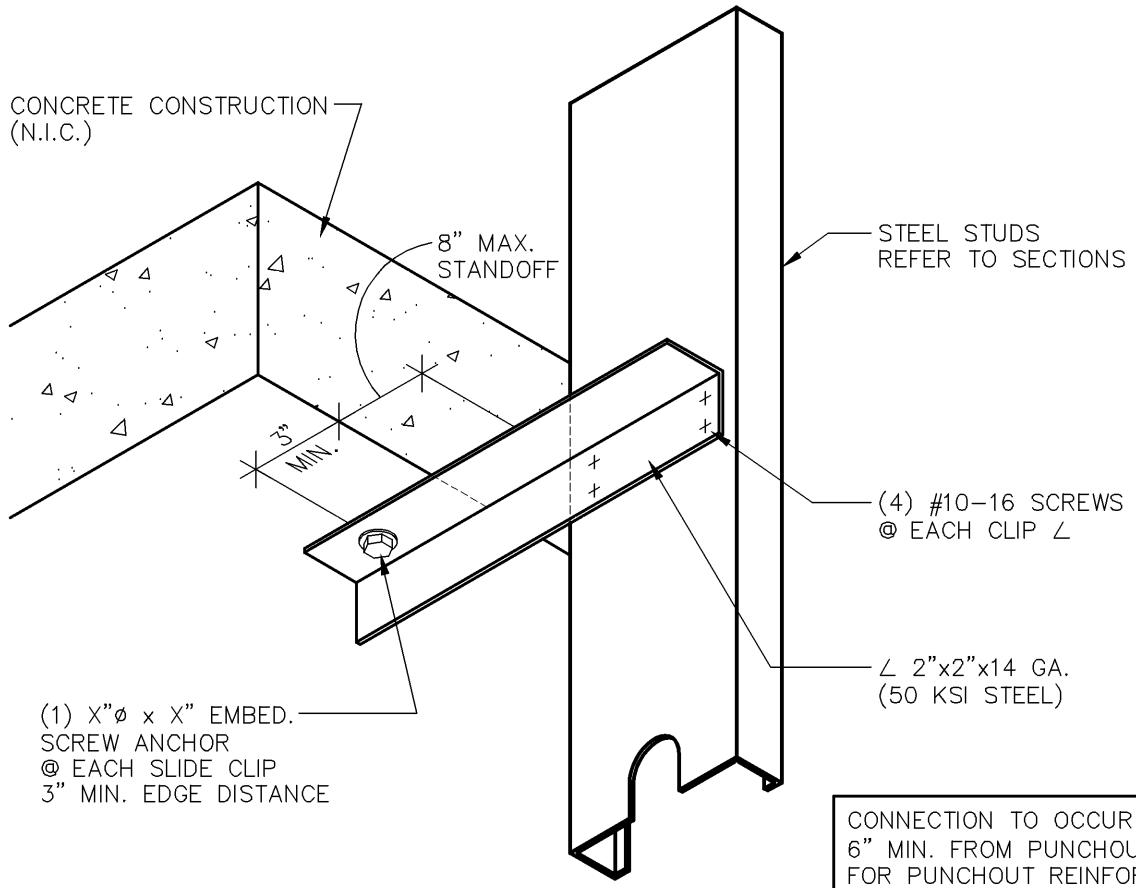


CONCRETE CONSTRUCTION  
(N.I.C.)



8" MAX.  
STANDOFF

STEEL STUDS  
REFER TO SECTIONS

3"  
MIN.

(4) #10-16 SCREWS  
@ EACH CLIP  $\angle$

(1) X"  $\phi$  x X" EMBED.  
SCREW ANCHOR  
@ EACH SLIDE CLIP  
3" MIN. EDGE DISTANCE

$\angle$  2"x2"x14 GA.  
(50 KSI STEEL)

CONNECTION TO OCCUR  
6" MIN. FROM PUNCHOUT.  
FOR PUNCHOUT REINFORCING



**BUILDSTRONG**  
6272 CENTER STREET  
MENTOR, OHIO 44060  
PHONE: 440-974-3370

DETAIL IS FOR  
REFERENCE ONLY.  
NOT FOR CONSTRUCTION.



DETAIL PROVIDED BY:  
100 CAMELOT DRIVE  
FOND DU LAC, WI 54935  
PHONE: (920) 926-9800

# CONCRETE BYPASS CLIP CONNECTION