

ATTACH HEADER MEMBERS TOGETHER W/ (2) #10-16 SCREWS @ 12" O.C.

ATTACH JAMBS STUDS TOGETHER W/ (2) #10-16 SCREWS @ 12" O.C.

SECTION OF STUD ATTACH W/ (4) #10-16 SCREWS

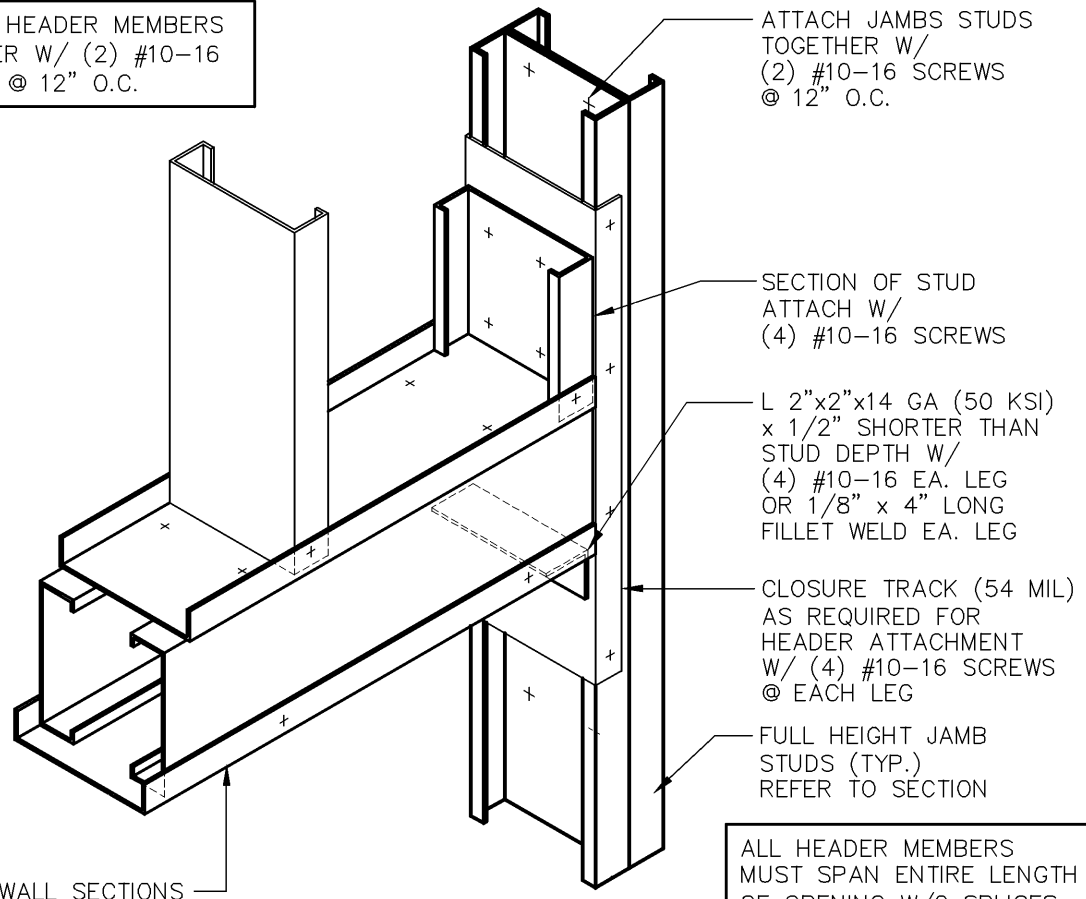
L 2"x2"x14 GA (50 KSI) x 1/2" SHORTER THAN STUD DEPTH W/ (4) #10-16 EA. LEG OR 1/8" x 4" LONG FILLET WELD EA. LEG

CLOSURE TRACK (54 MIL) AS REQUIRED FOR HEADER ATTACHMENT W/ (4) #10-16 SCREWS @ EACH LEG

FULL HEIGHT JAMB STUDS (TYP.) REFER TO SECTION

ALL HEADER MEMBERS MUST SPAN ENTIRE LENGTH OF OPENING W/O SPLICES

SEE WALL SECTIONS FOR HEADER MEMBERS



6272 CENTER STREET
MENTOR, OHIO 44060
PHONE: 440-974-3370

DETAIL IS FOR REFERENCE ONLY. NOT FOR CONSTRUCTION.

DETAIL PROVIDED BY:



100 CAMELOT DRIVE
FOND DU LAC, WI 54935
PHONE: (920) 926-9800

TYPICAL HEADER – JAMB DETAIL