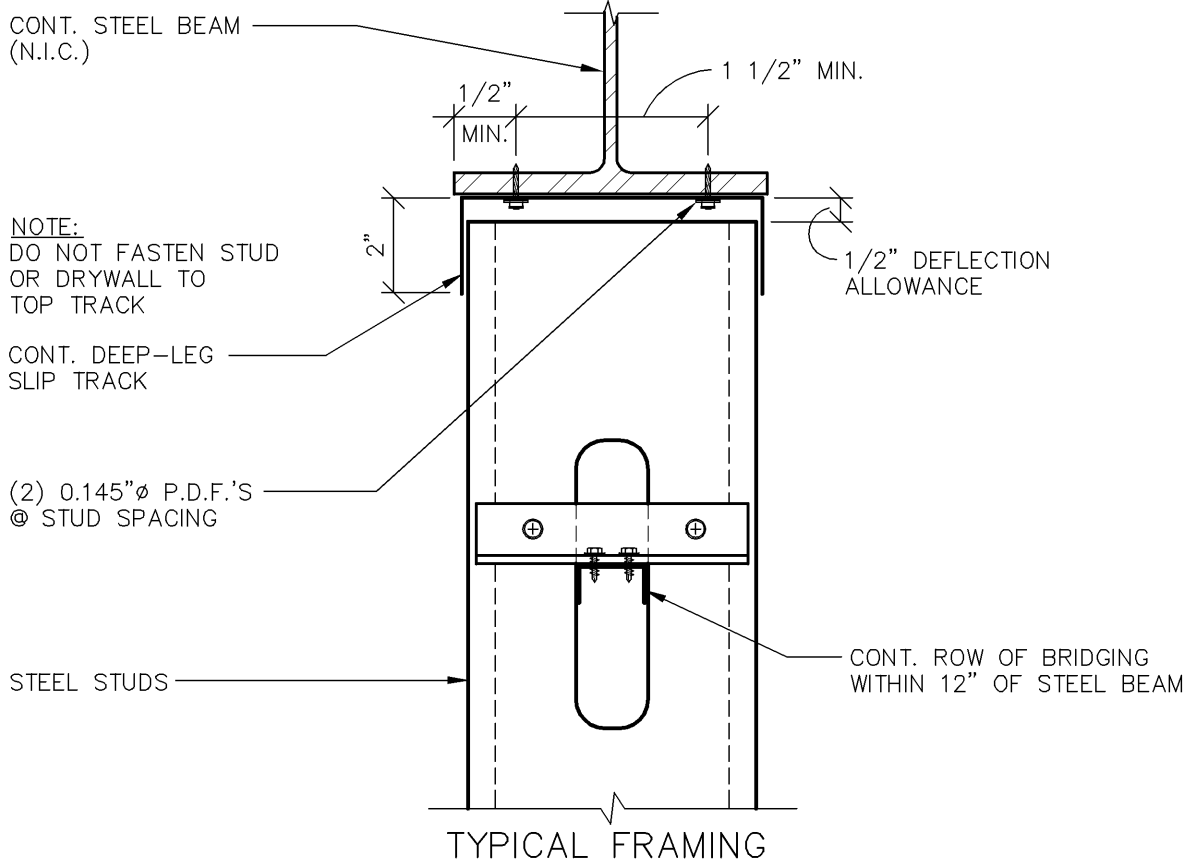


(4) 0.145"  $\phi$  P.D.F.'S  
@ JAMB CONDITIONS  
(2) EACH SIDE OF JAMB

@ JAMB CONDITIONS



NOTE:  
DO NOT FASTEN STUD  
OR DRYWALL TO  
TOP TRACK

CONT. DEEP-LEG  
SLIP TRACK

(2) 0.145"  $\phi$  P.D.F.'S  
@ STUD SPACING

STEEL STUDS

1/2" DEFLECTION  
ALLOWANCE

CONT. ROW OF BRIDGING  
WITHIN 12" OF STEEL BEAM

TYPICAL FRAMING

**TELLING™**  
  
**BUILDSTRONG**  
 6272 CENTER STREET  
 MENTOR, OHIO 44060  
 PHONE: 440-974-3370

DETAIL IS FOR  
REFERENCE ONLY.  
NOT FOR CONSTRUCTION.

DETAIL PROVIDED BY:  
  
**EXCEL  
ENGINEERING**  
 100 CAMELOT DRIVE  
 FOND DU LAC, WI 54935  
 PHONE: (920) 926-9800

@ STEEL BEAM  
SLIP TRACK ATTACHMENT