



TELLING™



BUILDSTRONG™



CLIPS  
&  
FASTENERS



# TABLE OF CONTENTS

True-Bridge Clips - Bridge Clips.....	2
Utility Angled/Rolled Angle & Clip Angles with Custom Holes .....	3
StiffClip® LB - Spandrel/Multi-Purpose .....	4
StiffClip® AL - Multi-Purpose.....	5
Stiffclip® CL - Floor Tie.....	6
Backit® - Wall Backing .....	7
Verticlip® SL - Exterior Head of Wall .....	8
Verticlip® SLD - Interior Head of Wall .....	9
Verticlip® SLB - Bypass Slab.....	10
Verticlip® SLS - Structure.....	11



Patent # 10,508,446 | 10,563,401

**TRUE-BRIDGE CLIPS**

True-Bridge Clips are a highly engineered new product from Telling used with True-Brace or **traditional CRC mechanical bridging**.

Telling's True-Bridge clips were engineered with the installer in mind. The ergonomic design facilitates easy screw drive access and hands free assembly.

The patented True-Bridge Clips are made of 18 gauge, premium steel and are available in two functional designs, terminating and joining.

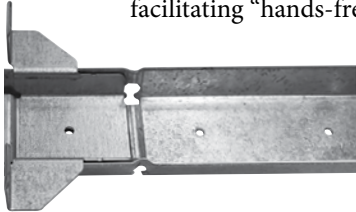
**TYPES OF TRUE-BRIDGE CLIPS:**

**TRUE-BRIDGE CLIP (TERMINATING)**

- Used to join True-Brace to a Stud at a corner, doorway, or end of wall
- 1.75" X 3.2" X 1.25"

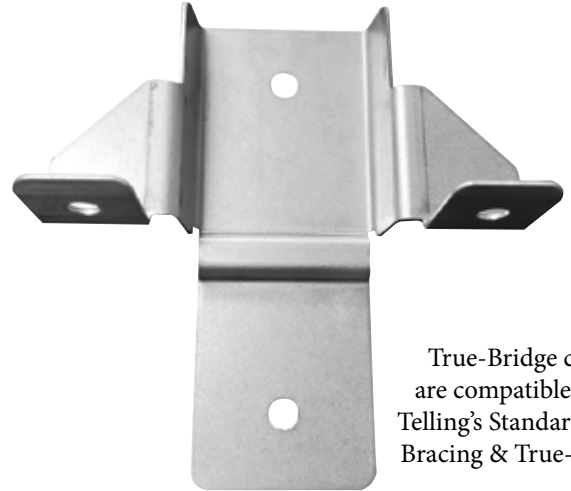


↑ Tabs prevent Clips from rotating facilitating "hands-free" installation



**TRUE-BRIDGE CLIP (JOINING)**

- Used to joint True-Brace to True-Brace or CRC to CRC for higher load applications
- 3.5" X 3.2" X 1.25"



True-Bridge clips are compatible with Telling's Standard CRC Bracing & True-Brace.

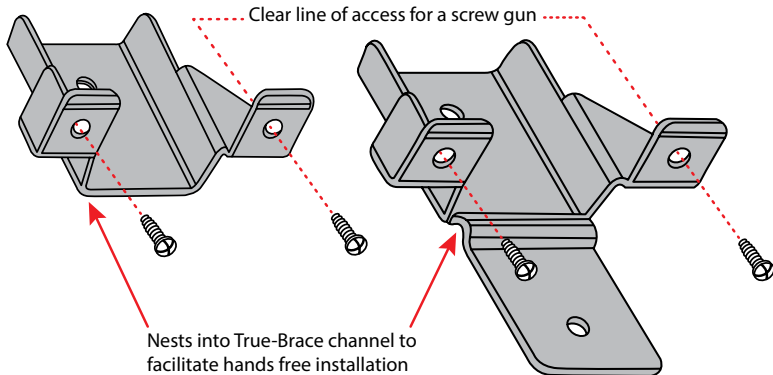
**SEE THE VIDEO**

**FEATURES:**

- Made of Galvanized Steel
- Highly Engineered for Ease of Installation
- Slides Easily into Place When Used in Conjunction with True-Brace

**BENEFITS:**

- Reduces Installation Time
- 10% Savings on Material and Labor Costs
- No Clips or Welding Required
- Easy Installation Due to Patented Design

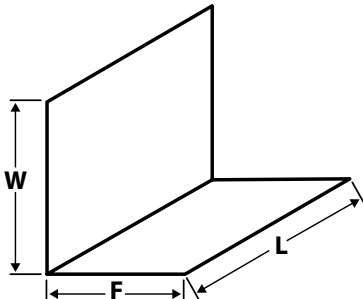


**USES:**

- Used to join True-Brace to a stud at a corner, doorway, or end of wall
- 1 Screw to True-Brace and up to 2 Screws to Stud
- Clip is also compatible with standard CRC Bracing



## UTILITY ANGLE/ROLLED ANGLE (RA)



Note: 4 Screws min.

### PRODUCT DATA:

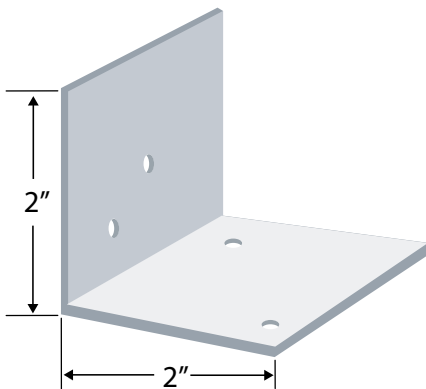
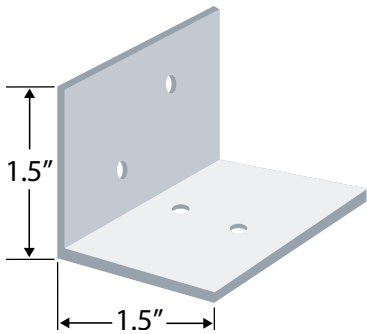
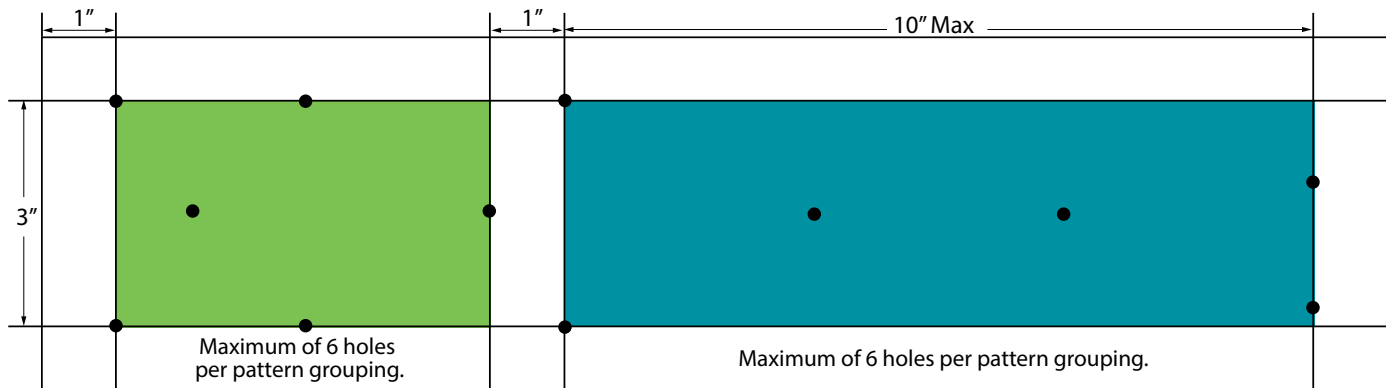
- Available in most sizes, lengths, and gauges
- 14ga standard right angle: 1.5" x 1.5" and 2.0" x 2.0" -- 16ga, 18ga standard right angle, 30mil, 20S 33mil: 1.5" x 1.5", 2.0" x 2.0", 3.0" x 3.0"
- 12ga, and any specialty angles > 3"x3" up to 8"x 8"

### USES:

- For miscellaneous attachments of intersection framing components
- For attachment of joist framing components to flush mounted headers
- For attachment of solid blocking sections to adjacent studs of joists
- For alternate screw attachment of CRC bridging to stud webs in lieu direct weld
- For 90 degree corner enclosures at lapped framing location; provides in-plane stability of framework

## CUSTOM HOLE PUNCH PATTERNS

Illustration is an example of 1 of 1000's of possible custom hole patterns.



### HOLE STANDARD OFFERING:

- Max of 6 hole grouping pattern, next pattern 1" apart.
  - 2 holes can be a max of 3" center line to center line side by side due to the width of the drill head attachment.
  - The 6 holes must be within a 10" length due to the length of the drill head attachment
- Slots: Please inquire
- Hole sizes: (#6, #8, #10, & #12 screw sizes)
  - Min hole size = 7/64" for a #6 screw
  - Must have 1/8" for #8 screw
  - Must have 5/32" hole for #10 screw
  - Must have 3/16" hole for #12 screw
  - Max hole size = 3/8"
- Dimensioned drawing or sketch of hole pattern & locations are required

### RIGHT ANGLE/CLIP ANGLE CUSTOM HOLES:

Custom drilled holes are available in the following gauges & sizes for right angles:

- 14ga standard right angle: 1.5" x 1.5" and 2.0" x 2.0"
- 16ga, 18ga standard right angle, 30mil, 20S 33mil: 1.5" x 1.5", 2.0" x 2.0", 3.0" x 3.0"
- 12ga, and any specialty angles > 3"x3" up to 8"x 8"

# STIFFCLIP® LB - SPANDREL/MULTI-PURPOSE

The StiffClip® LB series connects exterior wall studs to the building's structure through a unique design incorporating the use of stiffened legs of a 90° angle to increase bending strength. StiffClip LB resists horizontal and vertical loads. The allowable design load table shown below is based on the use of StiffClip LB as it is attached to various steel stud depths, material thicknesses and yield strengths. Design loads consider loads on the clip and #12 screw fasteners to the stud web. Pre-drilled guide holes in each leg allow for greater installation efficiency.

## VALUE

- Leg stiffeners increase bending strength
- Various lengths allow for construction tolerance
- Replaces expensive bracing
- Resists vertical and horizontal loads
- Structurally load tested

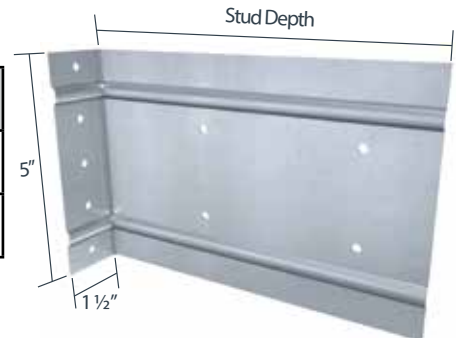
## MATERIAL COMPOSITION

ASTM A1003/A1003M Structural Grade 50 (340) Type H, ST50H (ST340H): 50ksi (340MPa) minimum yield strength, 65ksi (450MPa) minimum tensile strength, 68mil minimum thickness (14 gauge, 0.0713" design thickness) with ASTM A653/A653M G90 (Z275) hot dipped galvanized coating.

The attachment of StiffClip to the primary structure may be made with PAF's, screw/bolt anchors or weld and is dependent upon the base material (steel or concrete) and the design configuration.



PART NUMBER	QTY/BOX	LBS/BOX	QTY/SKID	LBS/SKID
LB600	50	38	4,500	3,420
LB800	50	48	2,000	1,920



## NOMENCLATURE

StiffClip LB is available for various stud depths. To specify, multiply stud depth by 100.

Example: 6" stud depth  
Designate: StiffClip® LB600

# STIFFCLIP® AL - MULTI-PURPOSE

StiffClip® AL is a versatile, multi-purpose rigid connection for use in a wide variety of applications. Pre-drilled holes facilitate quick and accurate fastener placement to structure and/or framing members. Stiffeners in each angle leg add to overall clip strength. StiffClip AL is tested to resist loads in 3 separate directions: horizontal, vertical, and lateral. Use of certified steel, combined with tested load values ensures construction professionals will achieve optimal structural performance.

## VALUE

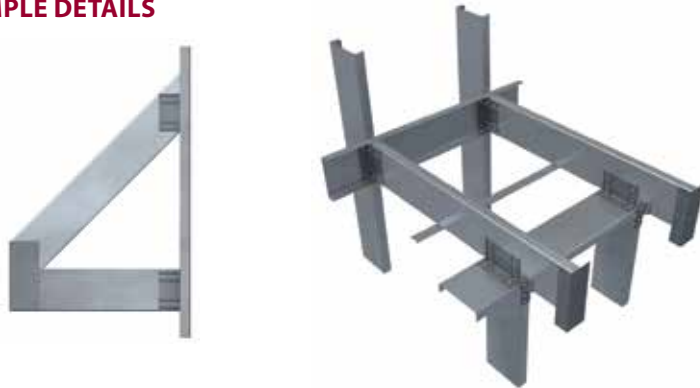
- Guide holes for fast and accurate connections
- Stiffeners for additional strength
- Manufactured from certified, 50ksi steel
- No labor spent cutting scrap angle
- Used in a variety of applications
- Extensively tested (reduces liability concerns associated with use of untested, miscellaneous untraceable material)

## MATERIAL COMPOSITION

ASTM A1003/A1003M Structural Grade 50 (340) Type H, ST50H (ST340H): 50ksi (340MPa) minimum yield strength, 65ksi (450MPa) minimum tensile strength, 68mil minimum thickness (14 gauge, 0.0713" design thickness) with ASTM A653/A653M G90 (Z275) hot dipped galvanized coating.



## EXAMPLE DETAILS



PART NUMBER	QTY/BOX	LBS/BOX	QTY/SKID	LBS/SKID
AL362*	100	30	4,500	1,350
AL600	100	52	4,500	2,340

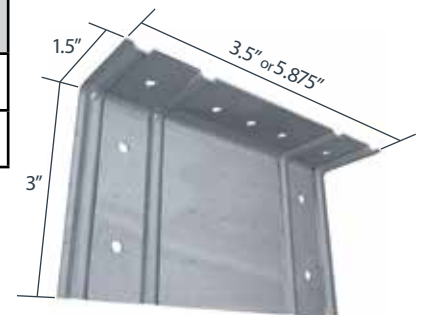
## NOMENCLATURE

StiffClip AL is available for various stud depths. To specify, multiply stud depth by 100.\*

Example: 6" stud depth

Designate: StiffClip® AL600

\* The AL362 fits 3 5/8" and 4" member depths



AL362 & AL600

# STIFFCLIP® CL - FLOOR TIE

The StiffClip® CL series' unique design allows for the connection of steel studs to the building's structure by incorporating stiffened legs of a 90° angle to increase bending strength. StiffClip CL resists vertical, horizontal, and torsional loads. The allowable design load table is based on the use of StiffClip as it is attached to various steel stud wall material thicknesses and yield strengths. Allowable loads consider loads on the clip and screw fasteners to the stud web. Pre-drilled holes for attachments to both deck and stud provide installers with increased efficiency.

The designed attachment of StiffClip to the primary structure is dependent upon the base material's properties (e.g. steel or concrete) and the design configuration.

## VALUE

- Guide holes for connections to stud and deck
- Stiffeners for additional strength
- Utilizes only certified, 50ksi steel
- Reduces material (replaces heavy steel angles)
- Extensively tested

## MATERIAL COMPOSITION

118mil: ASTM A1003/A1003M Structural Grade 50 (340) Type H, ST50H (ST340H): 50ksi (340MPa) minimum yield strength, 65ksi (450MPa) minimum tensile strength, 118mil minimum thickness (10 gauge, 0.1242" design thickness) with ASTM A653/A653M G90 (Z275) hot dipped galvanized coating.

The attachment of StiffClip to the primary structure may be made with a PAF, screw/bolt anchors or weld and is dependent upon the base material (steel or concrete) and the design configuration.

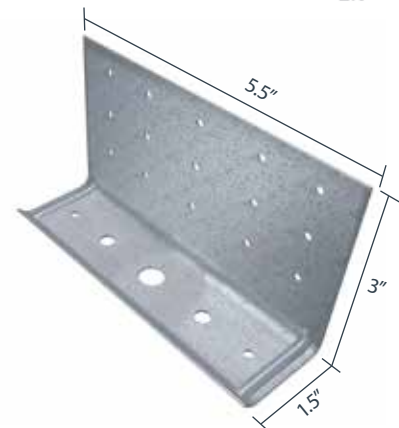


PART NUMBER	QTY/BOX	LBS/BOX	QTY/SKID	LBS/SKID
CL600-118	50	41	2,250	1,980

## NOMENCLATURE

To specify StiffClip CL on drawings, multiply stud depth by 100, followed by the appropriate material thickness, based on strength required (see technical sheet for load tables)

Example: 6", 43mil, 50ksi stud with an uplift load (F3) of 2,000lbs.  
Designate: StiffClip® CL600-118



# BACKIT® - WALL BACKING

BackIt® provides a solid backing solution to support handrails, wall-mounted shelving, and other equipment. Installation is greatly simplified through a simple screw connection to the stud flange, delivering a flexibility for use in 12", 16", and 24" stud spacing. Shelf tabs hold a variety of wood backing sizes and shapes, including 1" x 6", 2" x 4", and 2" x 6", in place during installation. BackIt exceeds code-required allowable load resistance of 250lbs in the vertical and horizontal directions.

## VALUE

- Guide holes for stud and wood attachments
- Shelf tabs to rest wood upon during installation
- No pre-determined stud layout
- May be used with multiple sizes of wood
- Resists load in the directions recommended by codes

## MATERIAL COMPOSITION

ASTM A1003/A1003M Structural Grade 50 (340) Type H, ST50H (ST340H): 50ksi (340MPa) minimum yield strength, 65ksi (450MPa) minimum tensile strength, 43mil minimum thickness (18 gauge, 0.0451" design thickness) with ASTM A653/A653M G60 (Z180) hot dipped galvanized coating.

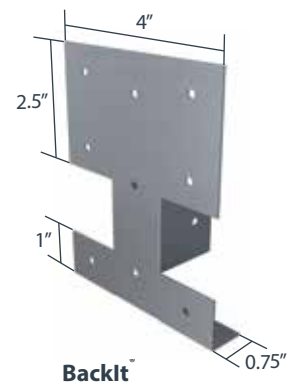


PART NUMBER	QTY/BOX	LBS/BOX	QTY/SKID	LBS/SKID
BackIt®	50	13	2,250	570

## NOMENCLATURE

BackIt is designed to be used with studs having flanges up to 1-5/8" wide,\* & is designated BackIt®

\* Custom clips are available by request for use with studs having flanges greater than 1 5/8"





# VERTICLIP® SL - EXTERIOR HEAD OF WALL

VertiClip® SL connects the exterior curtain wall studs at head of wall to the building frame while allowing for vertical deflection of the structure up to 1½" (¾" up and down). VertiClip's unique design provides both an anti-friction and anti-seizure connection between the clip and the stud web surface thereby preventing a transfer of vertical forces into curtain wall framing, which is not engineered to support axial loads. Use of VertiClip SL over friction-fit track assemblies helps protect liability through the utilization of positive mechanical attachments to the web of the stud. Allowable loads are based on use of two #12 screws for attachment to stud (provided).

## VALUE

- Load-rated positive mechanical attachment at each stud
- Eliminates friction-held assemblies
- Utilizes only certified, 50ksi steel
- Step Bushings pre-installed for accurate placement
- Load rated screws provided for each VertiClip
- Meets all building code criteria
- Adaptable for multiple configurations
- Top of wall bridging or strapping is eliminated
- Top track lightweight for easy handling (not a structural element, may be 20ga standard leg - Deep-Leg Track is not required)
- Utilize clips for wall layout
- Eliminates temporary screws

## MATERIAL COMPOSITION

ASTM A1003/A1003M Structural Grade 50 (340) Type H, ST50H (ST340H): 50ksi (340MPa) minimum yield strength, 65ksi (450MPa) minimum tensile strength, 68mil minimum thickness (14 gauge, 0.0713" design thickness) with ASTM A653/A653M G90 (Z275) hot dipped galvanized coating.

The attachment of VertiClip to the primary structure may be made with a PAF, screw/bolt anchors or weld and is dependent upon the base material (steel or concrete) and the design configuration.

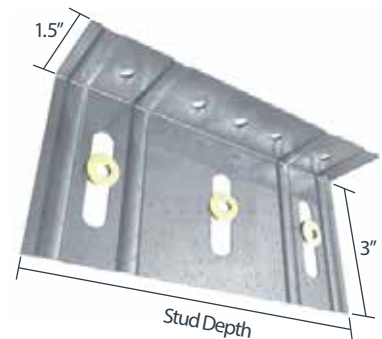


PART NUMBER	QTY/BOX	LBS/BOX	QTY/SKID	LBS/SKID
SL362/400	100	37	4,500	1,665
SL600	100	55	4,500	2,475

## NOMENCLATURE

VertiClip SL is designated by type (SL), followed by stud depth in inches multiplied by 100

Example: 6" stud  
Designate: VertiClip® SL600



# VERTICLIP® SLD - INTERIOR HEAD OF WALL

VertiClip® SLD connects metal studs at the head condition (top of wall) to the deck or primary frame while allowing for a total vertical deflection of up to 1½” (¾” up and ¾” down). VertiClip’s unique design provides both an anti-friction and anti-seizure connection between the clip and the stud web surface thereby preventing a transfer of vertical forces into drywall partition wall framing, which is not designed to support axial loads.

## VALUE

- Load-rated positive mechanical attachment at each stud
- UL classified for all approved dynamic assemblies and finish combinations with 1½” deflection and 1-2 hour fire-ratings
- Meets all building code criteria
- Eliminates loose friction-held track assemblies
- Utilizes only certified, 50ksi steel
- Load rated screws provided for each VertiClip
- Step Bushings pre-installed for accurate placement
- Adaptable for multiple configurations
- Top of wall bridging or strapping is eliminated
- Top track lightweight for easy handling (not a structural element, may be 25ga [interior] or 20ga [exterior] standard leg - Deep-Leg Track is not required)
- Utilize clips for wall layout
- Eliminates temporary screws

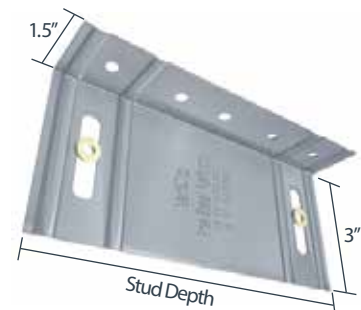
## MATERIAL COMPOSITION

ASTM A1003/A1003M Structural Grade 50 (340) Type H, ST50H (ST340H): 50ksi (340MPa) minimum yield strength, 65ksi (450MPa) minimum tensile strength, 33mil minimum thickness (20 gauge, 0.0346” design thickness) with ASTM A653/A653M G60 (Z180) hot dipped galvanized coating.

The attachment of VertiClip to the primary structure may be made with a PAF, screw/bolt anchors or weld and is dependent upon the base material (steel or concrete) and the design configuration.



PART NUMBER	QTY/BOX	LBS/BOX	QTY/SKID	LBS/SKID
SLD362/400	200	35	9,000	1,575
SLD600	100	28	4,500	1,260



## NOMENCLATURE

VertiClip is designated by type (SLD), followed by stud depth in inches multiplied by 100.

Example: 6” stud  
Designate: VertiClip® SLD600



Tested per UL2079  
WR Grace shaft wall  
assembly HW-D-0401.



VertiClip® SLD600  
ICC-ESR-2049  
www.icc-es.org

# VERTICLIP® SLB - BYPASS SLAB

VertiClip® SLB connects exterior curtain wall studs, bypassing the building structure, while allowing for vertical deflection of the structure up to 2" (1" up and 1" down). VertiClip's unique design provides both an anti-friction and anti-seizure connection between the clip and the stud web surface thereby preventing a transfer of vertical forces into curtain wall framing, which is not engineered to support axial loads. VertiClip SLB eliminates flange-loaded, friction-fit clips, which do not address web-crippling. Three #12 screws for attachment to stud through pre-installed bushings are provided.

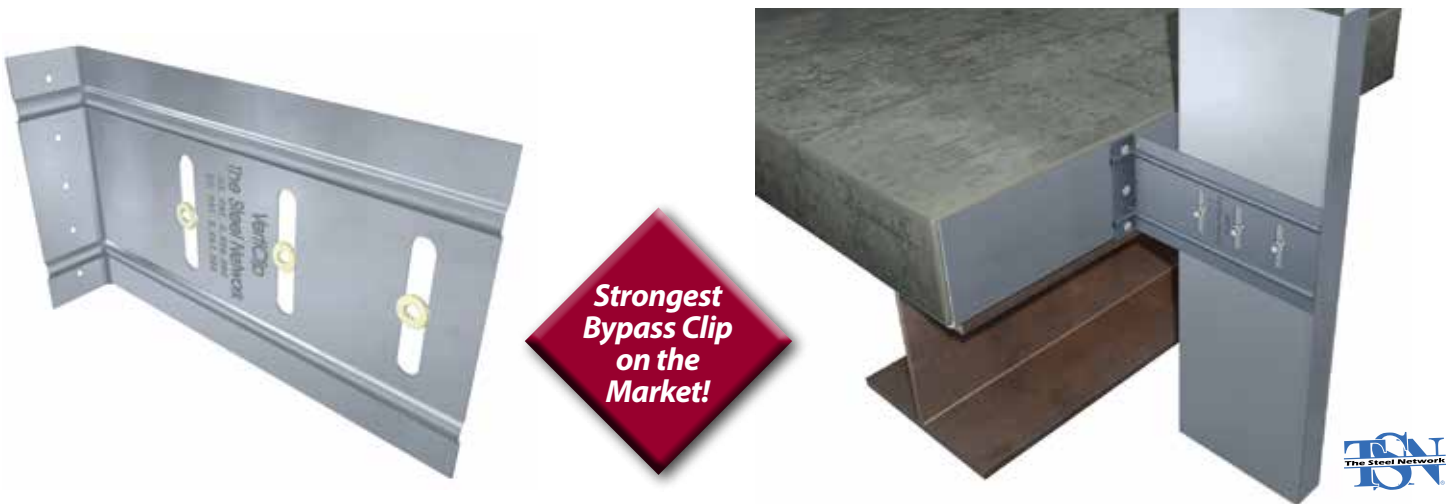
## VALUE

- Positive, mechanical attachment
- Only certified, 50ksi steel is used
- Step Bushings pre-installed for accurate placement
- Rated screws provided
- Load transferred from stud web
- Elimination of friction-held assemblies
- Meets all building code criteria
- Adaptable for multiple configurations
- Eliminates shims and scabs
- Aligns wall studs quickly and easily by accounting for construction tolerances
- Eliminates bridging or strapping within the bridging spacing from the connection
- Attaches to structure with PAF or welds

## MATERIAL COMPOSITION

ASTM A1003/A1003M Structural Grade 50 (340) Type H, ST50H (ST340H): 50ksi (340MPa) minimum yield strength, 65ksi (450MPa) minimum tensile strength, 68mil minimum thickness (14 gauge, 0.0713" design thickness) with ASTM A653/A653M G90 (Z275) hot dipped galvanized coating.

The attachment of VertiClip to the primary structure may be made with a PAF, screw/bolt anchors or weld and is dependent upon the base material (steel or concrete) and the design configuration.



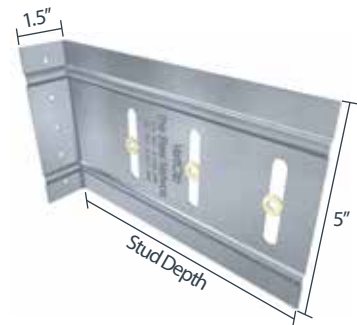
PART NUMBER	QTY/BOX	LBS/BOX	QTY/SKID	LBS/SKID
SLB600	50	38	2,250	1,710
SLB800	50	50	1,600	1,600

## NOMENCLATURE

VertiClip SLB is designated by type (SLB), followed by stud depth in inches multiplied by 100.

Example: 6" stud

Designate: VertiClip® SLB600



VertiClip® SLB600  
ICC-ESR-2049  
www.icc-es.org

# VERTICLIP® SLS - STRUCTURE

The VertiClip® SLS slide clip connects exterior curtain wall studs, bypassing the building's structural frame, while allowing for a vertical deflection of the structure up to 1½" (¾" up and ¾" down). VertiClip's unique design provides both an anti-friction and anti-seizure connection between the clip and the stud web surface thereby preventing a transfer of vertical forces into curtain wall framing, which is not engineered to support axial loads. Allowable loads are based on use of two #12 screws for attachment to stud (provided).

## VALUE

- Provides a positive, load-rated, mechanical attachment to web of stud
- Eliminates friction-based assemblies
- Utilizes only certified, 50ksi steel
- Eliminates untested "scabs" or shims
- Load rated screws provided
- Step Bushings pre-installed for accurate placement
- Meets all building code criteria
- Adaptable for multiple configurations
- Align wall studs quickly and easily by accounting for construction tolerances
- Lightweight assembly
- Eliminates bridging or strapping within the bridging spacing from the connection

## MATERIAL COMPOSITION

ASTM A1003/A1003M Structural Grade 50 (340) Type H, ST50H (ST340H): 50ksi (340 MPa) minimum yield strength, 65ksi (450 MPa) minimum tensile strength, 68mil minimum thickness (14 gauge, 0.0713" design thickness) with ASTM A653/A653M G90 (Z275) hot dipped galvanized coating.

The attachment of VertiClip to the primary structure may be made with PAFs, screw/bolt anchors or weld and is dependent upon the base material (steel or concrete) and the design configuration.

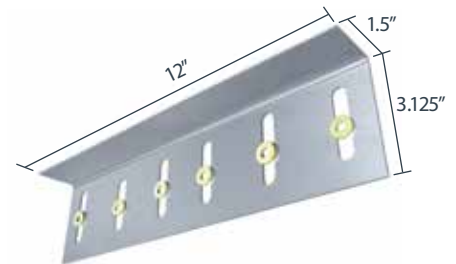


PART NUMBER	QTY/BOX	LBS/BOX	QTY/SKID	LBS/SKID
SLS600-12	50	60	2,250	2,700

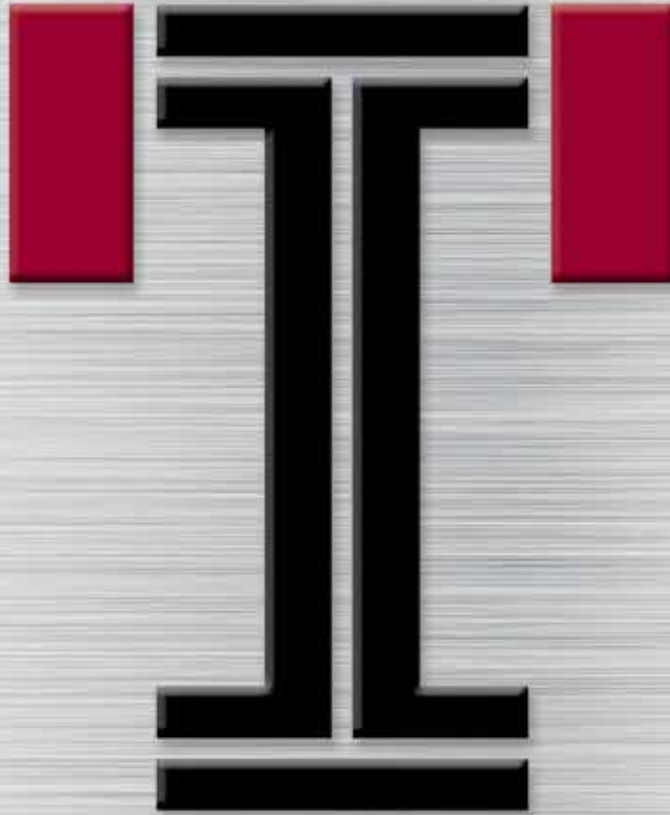
## NOMENCLATURE

VertiClip SLS is designated by stud depth and clip length required. Clip length includes a minimum of 3" for steel (5.5" for concrete) of clip material for attachment to structure added to stud depth, plus the distance of the stud from the structure.

Example: 6" stud, 3" tolerance, 3" to structure  
Designate: VertiClip® SLS600-12



# TELLING®



# BUILDSTRONG™

Telling partners with multiple 3rd party engineering firms to offer independent industry expert design & service.

**RAZ TECH, INC:** Web: [www.raztechinc.com](http://www.raztechinc.com) | Email: [rzadeh@raztechinc.com](mailto:rzadeh@raztechinc.com) | Phone: 404.665.7506  
(Preferred engineering firm)

See [www.tellingindustries.com](http://www.tellingindustries.com) for more clips and fasteners.

**Telling® Industries  
Corporate Headquarters**

4420 Sherwin Road  
Willoughby, OH 44094  
**Phone:** 440-974-3370  
**Toll Free:** 866-FRAME-TI(372-6384)  
**Fax:** 440-974-3408  
**E-mail:**  
[sales.corp@tellingindustries.com](mailto:sales.corp@tellingindustries.com)

**Telling® Industries  
Midwest Facility**

2105 Larrick Road  
Cambridge, OH 43725  
**Phone:** 740-435-8900  
**Toll Free:** 866-35STUDS (357-8837)  
**Fax:** 740-435-8915  
**E-mail:**  
[sales.oh@tellingindustries.com](mailto:sales.oh@tellingindustries.com)

**Telling® Industries  
Midsouth Facility**

1400 Southwire Drive  
Osceola, AR 72370  
**Phone:** 870-563-6065  
**Toll Free:** 888-711-3124  
**Fax:** 870-563-2471  
**E-mail:**  
[sales.ar@tellingindustries.com](mailto:sales.ar@tellingindustries.com)

**Telling® Industries  
Northeast Facility**

1050 Kennedy Road  
Windsor, CT 06095  
**Toll Free:** 866-372-6384  
**Fax:** 440-974-3408  
**E-mail:**  
[sales.corp@tellingindustries.com](mailto:sales.corp@tellingindustries.com)